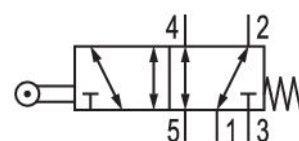


5/2-directional valve, Series CD07

5634610100

AVENTICS Series CD07 Directional valves

- $Q_n = 1200 \dots 1400 \text{ l/min}$



Technical data

Industry

Industrial

Activation

Mechanical

Frame size

CD07

Valve type

Spool valve, positive overlapping

Switching principle

5/2, with spring return

Actuating control

Single Solenoid

Plate connection

Pipe connection

Actuating element

Roller

Sealing principle

soft seal

Compressed air connection

G 1/4

Compressed air connection type

Internal thread

Compressed air connection input

G 1/4

Compressed air connection output

G 1/4

Compressed air connection, exhaust

G 1/4

Nominal flow Qn	1200 l/min
Working pressure min.	-0.95 bar
Working pressure max	10 bar
actuating force min.	40 N
Certificates	Suitable for ATEX
ATEX	Suitable for ATEX
Min. ambient temperature	-25 °C
Max. ambient temperature	80 °C
Min. medium temperature	-25 °C
Max. medium temperature	80 °C
Medium	Compressed air
Oil content of compressed air min.	0 mg/m ³
Oil content of compressed air max.	1 mg/m ³
Max. particle size	50 µm
Weight	0.59 kg

Material

Housing material	Die cast zinc Polyamide fiber-glass reinforced
Seal material	Acrylonitrile butadiene rubber
Material actuating control	Stainless Steel
Part No.	5634610100

Technical information

The min. control pressure must be adhered to, since otherwise faulty switching and valve failure may result!

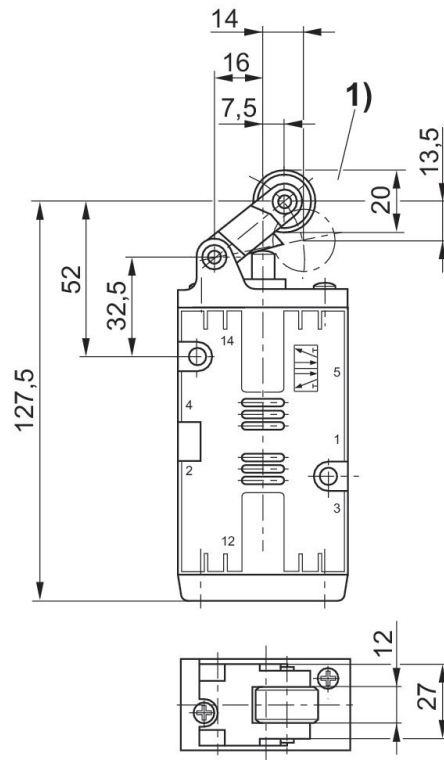
The pressure dew point must be at least 15 °C less than ambient and medium temperature and may not exceed 3 °C.

The oil content of compressed air must remain constant during the life cycle.

Use only the approved oils from AVENTICS. Further information can be found in the "Technical information" document (available in <https://www.emerson.com/en-us/support>).

Dimensions

Fig. 2



1) approach angle of rollers max. 30°