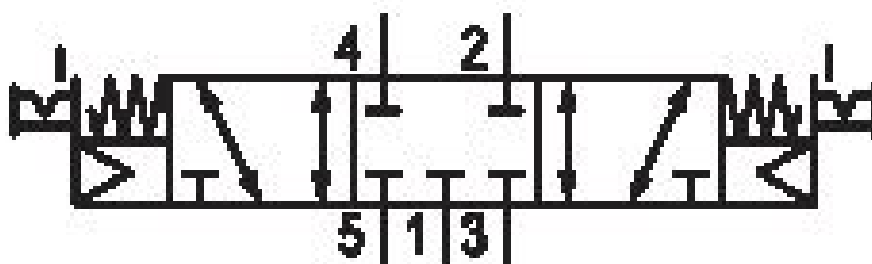


5/3-directional valve, Series CD07

R412011157

General series information
AVENTICS Series CD07 Directional valves

- The AVENTICS Series CD consists of various spool valves with an extremely durable die-cast zinc housing. Its electrical, pneumatic, or mechanical actuating controls (roller, lever, pedal, or plunger) make the Series CD ideal for applications in harsh environments.
- For demanding environments



Technical data

Industry
Activation
Frame size
Valve type
basic valve with electrical connector
Switching principle
Actuating control
Sealing principle
Connection type
Manual override

Industrial
Electrically
CD07
Spool valve, positive overlapping
Basic valve without coil
5/3, closed center
Double Solenoid
soft seal
Pipe connection
with detent

Compressed air connection

G 1/4

Standard compressed air connection	according to ISO 228-1
Compressed air connection input	G 1/4
Compressed air connection output	Namur base plate
Compressed air connection, exhaust	G 1/4
Pilot control exhaust	with directional pilot air exhaust
Compressed air connection pilot exhaust	M5
Nominal flow Qn	900 l/min
Nominal flow Qn 1 to 2	1070 l/min
Nominal flow Qn 2 to 3	950 l/min
Working pressure min.	3 bar
Working pressure max	10 bar
Electrical connection type	Plug
Electrical connection size	EN 175301-803, form A
Electrical connection number of poles	3-pin
Connector standard	EN 175301-803:2006
Reverse polarity protection	Protected against polarity reversal
Pilot	Internal
Pilot valve width	30 mm
Compatibility index	13 14
Duty cycle	100 %
Standards	NAMUR
Certificates	ATEX optional
ATEX	ATEX optional
Min. ambient temperature	0 °C
Max. ambient temperature	50 °C
Min. medium temperature	0 °C
Max. medium temperature	50 °C
Medium	Compressed air
Oil content of compressed air min.	0 mg/m ³
Oil content of compressed air max.	1 mg/m ³
Max. particle size	50 µm

Material

Housing material	Die cast zinc Polyamide fiber-glass reinforced
Seal material	Acrylonitrile butadiene rubber
Part No.	R412011157

Technical information

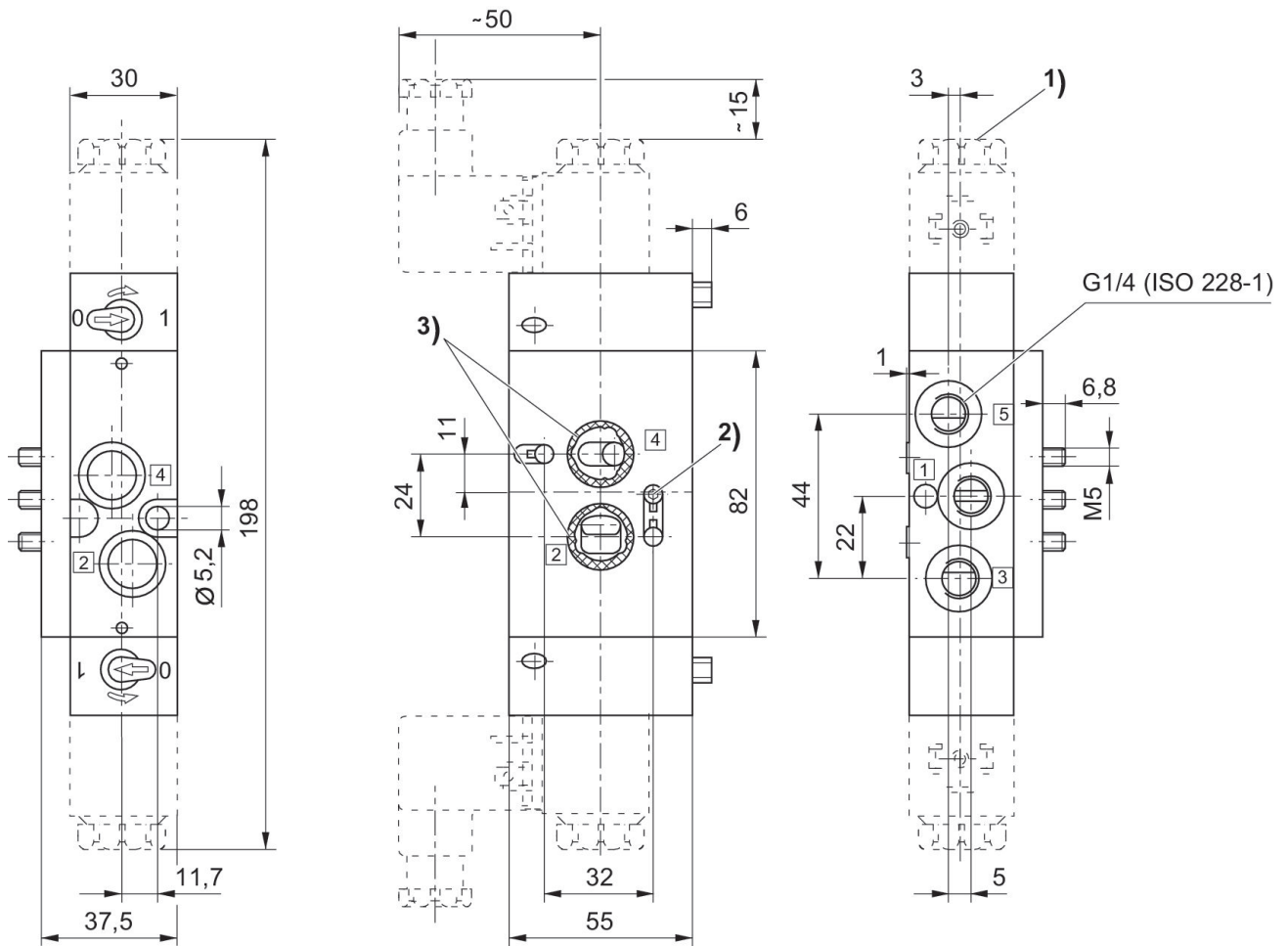
The min. control pressure must be adhered to, since otherwise faulty switching and valve failure may result!

The pressure dew point must be at least 15 °C less than ambient and medium temperature and may not exceed 3 °C.

The oil content of compressed air must remain constant during the life cycle.

Use only the approved oils from AVENTICS. Further information can be found in the "Technical information" document (available in <https://www.emerson.com/en-us/support>).

Dimensions



1) after removal of cap M 5 internal thread 2) threaded pin DIN 914 M5 x 20 3) O-ring 16 x 2 (included) 4) cylinder screw M5x40 (included in scope of delivery)