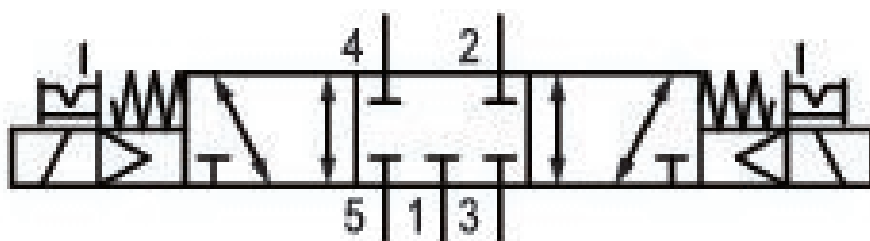


5/3-directional valve, Series CD07

R432016596

General series information
AVENTICS Series CD07 Directional valves

- The AVENTICS Series CD consists of various spool valves with an extremely durable die-cast zinc housing. Its electrical, pneumatic, or mechanical actuating controls (roller, lever, pedal, or plunger) make the Series CD ideal for applications in harsh environments.



Technical data

| | |
|---------------------------|-----------------------------------|
| Industry | Industrial |
| Activation | Electrically |
| Frame size | CD07 - inch |
| Valve type | Spool valve, positive overlapping |
| Switching principle | 5/3, closed center |
| Valve function | Closed Center |
| Actuating control | Double Solenoid |
| Sealing principle | soft seal |
| Connection type | Pipe connection |
| Manual override | with detent |
| Compressed air connection | 1/4 NPT |

| | |
|---|-------------------------------------|
| Standard compressed air connection | according to ISO 228-1 |
| Compressed air connection input | 1/4 NPT |
| Compressed air connection output | 1/4 NPT |
| Compressed air connection, exhaust | 1/4 NPT |
| Pilot control exhaust | with directional pilot air exhaust |
| Compressed air connection pilot exhaust | M5 |
| Nominal flow Qn | 900 l/min |
| Nominal flow Qn 1 to 2 | 900 l/min |
| Nominal flow Qn 2 to 3 | 900 l/min |
| Working pressure min. | 3 bar |
| Working pressure max | 10 bar |
| Control pressure min. | 3 bar |
| Control pressure max. | 10 bar |
| Electrical connection type | Plug |
| Electrical connection size | EN 175301-803, form A |
| Electrical connection number of poles | 3-pin |
| Connector standard | EN 175301-803:2006 |
| Protection class with connection | IP65 |
| Reverse polarity protection | Protected against polarity reversal |
| Operational voltage AC at 50 Hz | 24 V |
| Voltage tolerance AC 50 Hz | -10% / +10% |
| Operational voltage AC at 60 Hz | 24 V |
| Voltage tolerance AC 60 Hz | -10% / +10% |
| Pilot | Internal |
| Coil width | 30 mm |
| Compatibility index | 13 14 |
| Holding power AC 50 Hz | 3.7 VA |
| Holding power AC 60 Hz | 3.7 VA |
| Switch-on power AC 50 Hz | 6.4 VA |
| Switch-on power AC 60 Hz | 6.4 VA |
| Duty cycle | 100 % |
| Typ. switch-on time | 25 ms |
| Typ. switch-off time | 55 ms |
| Min. ambient temperature | -15 °C |

| | |
|------------------------------------|----------------------|
| Max. ambient temperature | 50 °C |
| Min. medium temperature | -15 °C |
| Max. medium temperature | 50 °C |
| Medium | Compressed air |
| Oil content of compressed air min. | 0 mg/m ³ |
| Oil content of compressed air max. | 1 mg/m ³ |
| Max. particle size | 50 µm |
| Mounting on manifold strip | P-strip PRS strip |
| Weight | 0.72 kg |

Material

| | |
|------------------|---|
| Housing material | Die cast zinc Polyamide fiber-glass reinforced |
| Seal material | Acrylonitrile butadiene rubber |
| Part No. | R432016596 |

Technical information

ATEX optional: ATEX version can be produced by combining the basic valve without coil with an ATEX coil. ATEX ID: see ATEX coils catalog page.

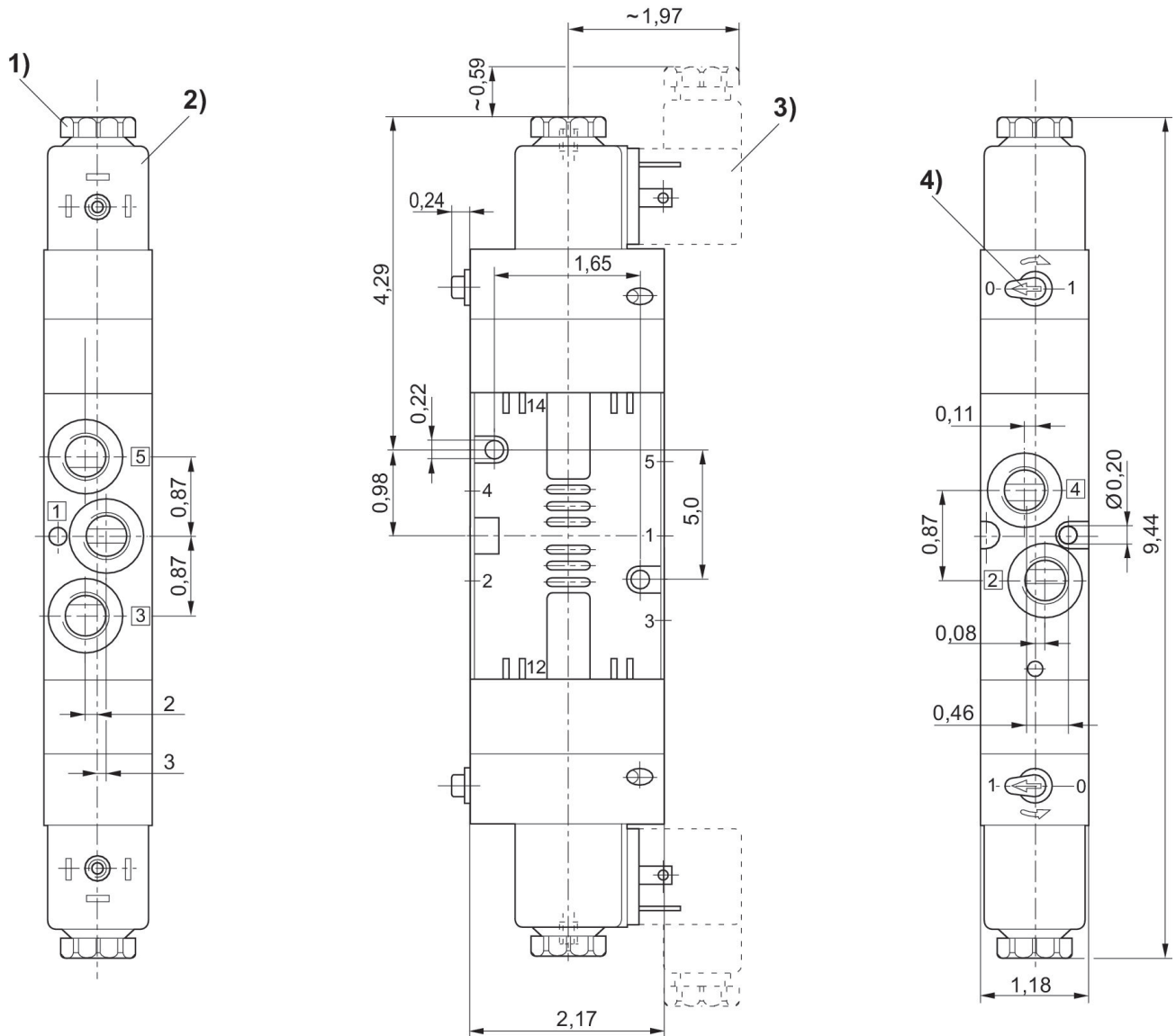
The min. control pressure must be adhered to, since otherwise faulty switching and valve failure may result!

The pressure dew point must be at least 15 °C less than ambient and medium temperature and may not exceed 3 °C.

The oil content of compressed air must remain constant during the life cycle.

Use only the approved oils from AVENTICS. Further information can be found in the "Technical information" document (available in <https://www.emerson.com/en-us/support>).

Dimensions in inches



- 1) After removal of cap M5 internal thread 2) Coil can be plugged at 45° intervals 3) Valve plug connector
4) Manual override