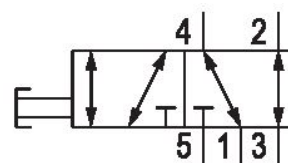


# 5/2-directional valve, Series CD07

## R432032607

Series CD07

- $Q_n = 1200 \dots 1400 \text{ l/min}$



### Technical data

Industry

Activation

Frame size

Valve type

Switching principle

Actuating control

Plate connection

Actuating element

Sealing principle

Industrial

Mechanical

CD07 - inch

Spool valve, positive overlapping

5/2, mechanical return

Double Solenoid

Pipe connection

Button

soft seal

Compressed air connection

Compressed air connection type

Compressed air connection input

Compressed air connection output

Compressed air connection, exhaust

1/4 NPT

Internal thread

1/4 NPT

1/4 NPT

1/4 NPT

Compressed air connection pilot input	1/8 NPT
Nominal flow Qn	1200 l/min
Nominal flow Qn 1 to 2	1200 l/min
Nominal flow Qn 2 to 3	1200 l/min
Working pressure min.	-0.95 bar
Working pressure max	10 bar
Control pressure min.	5 bar
Control pressure max.	10 bar
actuating force min.	80 N
ATEX	Suitable for ATEX
Min. ambient temperature	-25 °C
Max. ambient temperature	80 °C
Min. medium temperature	-25 °C
Max. medium temperature	80 °C
Medium	Compressed air
Oil content of compressed air min.	0 mg/m <sup>3</sup>
Oil content of compressed air max.	1 mg/m <sup>3</sup>
Max. particle size	50 µm
Weight	0.54 kg

## Material

Housing material	Die cast zinc Polyamide fiber-glass reinforced
Seal material	Acrylonitrile butadiene rubber
Material actuating control	Polyoxymethylene
Part No.	R432032607

## Technical information

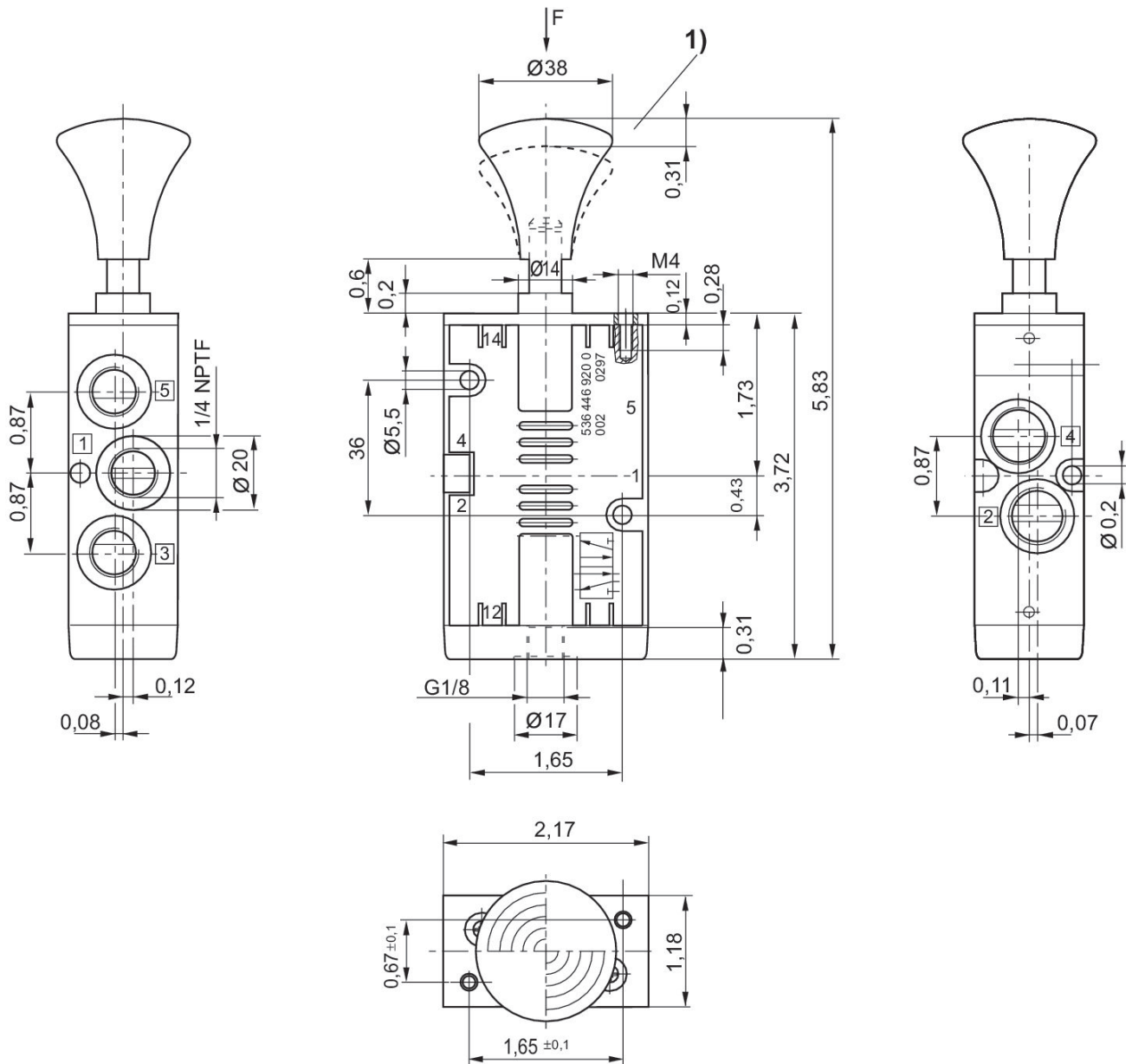
The min. control pressure must be adhered to, since otherwise faulty switching and valve failure may result!

The pressure dew point must be at least 15 °C less than ambient and medium temperature and may not exceed 3 °C.

The oil content of compressed air must remain constant during the life cycle.

Use only the approved oils from AVENTICS. Further information can be found in the "Technical information" document (available in <https://www.emerson.com/en-us/support>).

Dimensions in inches



1) Stroke