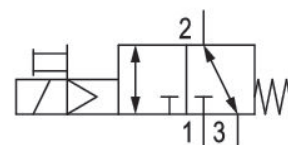


# 3/2-directional valve, Series CD12

5724505980

## General series information Series CD12

- The AVENTICS Series CD consists of various spool valves with an extremely durable die-cast zinc housing. Its electrical, pneumatic, or mechanical actuating controls (roller, lever, pedal, or plunger) make the Series CD ideal for applications in harsh environments.



## Technical data

Industry  
Industrial

Activation  
Electrically

Nominal flow  $Q_n$   
4000 l/min

Switching principle  
3/2

Version  
NC/NO

Compressed air connection output  
M22x1,5

Working pressure min.  
2 bar

Working pressure max.  
16 bar

Operational voltage AC at 50 Hz  
230 V

Operational voltage AC at 60 Hz  
230 V

Pilot valve width  
30 mm

Valve type  
Spool valve, positive overlapping

Connection type  
Pipe connection

Control pressure min.  
2 bar

Voltage tolerance AC 50 Hz  
-20% / +10%

Voltage tolerance AC 60 Hz  
-10% / +20%

Manual override  
without detent

Electrical connection type  
Plug

Electrical connection size  
EN 175301-803, form A

Electrical connection number of poles  
3-pin

Actuating control  
Single Solenoid

Sealing principle  
Soft Seal

Pilot  
Internal

Return  
With spring return

Temperature resistance  
-25 °C cold-resistant

Control pressure max.  
16 bar

Min. ambient temperature  
-25 °C

Max. ambient temperature  
50 °C

Min. medium temperature  
-25 °C

Max. medium temperature  
50 °C

Compressed air connection input  
M22x1,5

Compressed air connection, exhaust  
M22x1,5

Compressed air connection pilot exhaust  
M5

Holding power AC 50 Hz  
10.8 VA

Holding power AC 60 Hz  
7.8 VA

Switch-on power AC 50 Hz  
15.2 VA

Switch-on power AC 60 Hz  
12.7 VA

Pilot valve width  
30 mm

Connector standard  
EN 175301-803:2006

Protection class with connection  
IP65

Housing material

Aluminum  
Polyamide fiber-glass reinforced

Seal material

Acrylonitrile butadiene rubber

Medium

Compressed air

Max. particle size  
50 µm

Oil content of compressed air min.  
0 mg/m<sup>3</sup>

Oil content of compressed air max.  
1 mg/m<sup>3</sup>

Pilot control exhaust  
with directional pilot air exhaust

Nominal flow Qn 1 to 2  
4000 l/min

Nominal flow Qn 2 to 3  
4000 l/min

Compatibility index  
14

Duty cycle  
100 %

Typ. switch-on time  
34 ms

Typ. switch-off time  
90 ms

Reverse polarity protection  
Protected against polarity reversal

Weight  
0.85 kg

Polyurethane

Part No.  
5724505980

## Technical information

ATEX optional: ATEX version can be produced by combining the basic valve without coil with an ATEX coil. ATEX ID: see ATEX coils catalog page.

option valve: The input and output compressed air connections can be exchanged. The valve can thereby be used in the NC or NO operating mode.

\*Note: Basic valves feature a maximum working pressure of 16 bar. When combined with standard CNOMO pilots, the maximum working pressure is 10 bar.

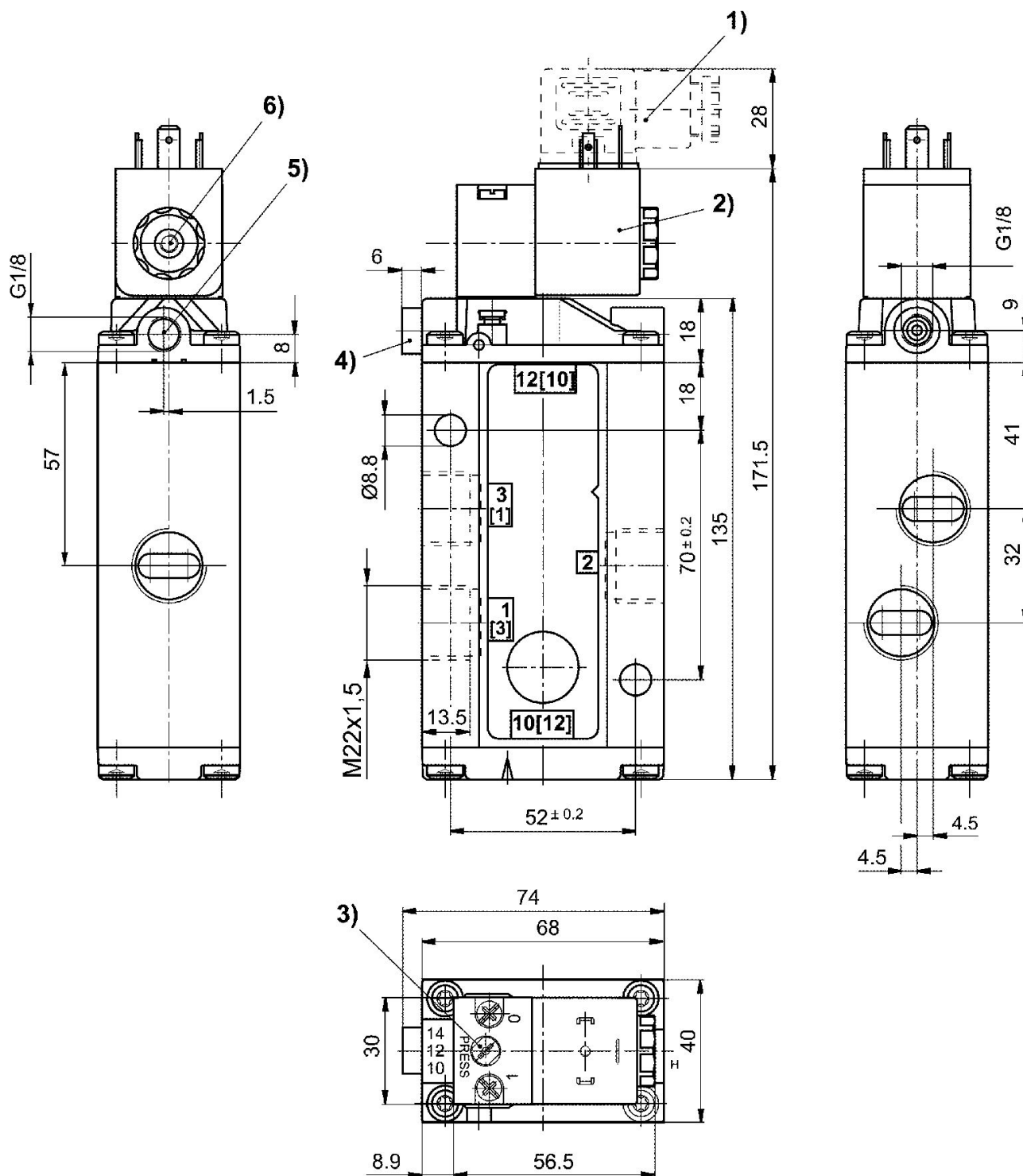
The min. control pressure must be adhered to, since otherwise faulty switching and valve failure may result!

The pressure dew point must be at least 15 °C under ambient and medium temperature and may not exceed 3 °C .

The oil content of compressed air must remain constant during the life cycle.

Use only the approved oils from AVENTICS. Further information can be found in the “Technical information” document (available in <https://www.emerson.com/en-us/support>).

## Dimensions



- 1) Valve plug connector 2) Coil can be rotated at 90° intervals 3) Manual override  
4) Port X (only for externally piloted valves) 5) Exhaust port of piston 6) Pilot valve exhaust, M5