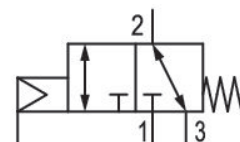


3/2-directional valve, Series CD12

5724565202

General series information Series CD12

- The AVENTICS Series CD consists of various spool valves with an extremely durable die-cast zinc housing. Its electrical, pneumatic, or mechanical actuating controls (roller, lever, pedal, or plunger) make the Series CD ideal for applications in harsh environments.



Technical data

Industry
Industrial

Activation
Electrically

Nominal flow Qn
4000 l/min

Switching principle
3/2

Version
NC/NO

Compressed air connection output
G 1/2

Working pressure min.
-0.95 bar

Working pressure max
16 bar

Pilot valve width
30 mm

Valve type
Spool valve, positive overlapping

basic valve with electrical connector
Basic valve without pilot valve

Control pressure min.
2 bar

Control pressure max.
16 bar

Min. ambient temperature
-25 °C

Electrical connection type
Plug

Electrical connection size
EN 175301-803, form A

Electrical connection number of poles
3-pin

Actuating control
Single Solenoid

Sealing principle
Soft Seal

Pilot
External

ATEX
ATEX optional

Connection type
Pipe connection

Return
With spring return

Temperature resistance
-25 °C cold-resistant

Max. ambient temperature
70 °C

Min. medium temperature
-25 °C

Max. medium temperature
70 °C

Medium
Compressed air
Max. particle size
50 µm

Oil content of compressed air min.
0 mg/m³
Oil content of compressed air max.
1 mg/m³

Standard compressed air connection
according to ISO 228-1
Compressed air connection input
G 1/2
Compressed air connection, exhaust
G 1/2
Compressed air connection pilot input
G 1/8

Pilot control exhaust
with directional pilot air exhaust
Nominal flow Qn 1 to 2
4000 l/min
Nominal flow Qn 2 to 3
4000 l/min

Duty cycle
100 %

Pilot valve width
30 mm
Connector standard
EN 175301-803:2006

Weight
0.7 kg

Housing material
Aluminum
Polyamide fiber-glass reinforced
Seal material
Acrylonitrile butadiene rubber

Polyurethane
Part No.
5724565202

Technical information

ATEX optional: ATEX version can be produced by combining the basic valve without coil with an ATEX coil. ATEX ID: see ATEX coils catalog page.

option valve: The input and output compressed air connections can be exchanged. The valve can thereby be used in the NC or NO operating mode.

*Note: Basic valves feature a maximum working pressure of 16 bar. When combined with standard CNOMO pilots, the maximum working pressure is 10 bar.

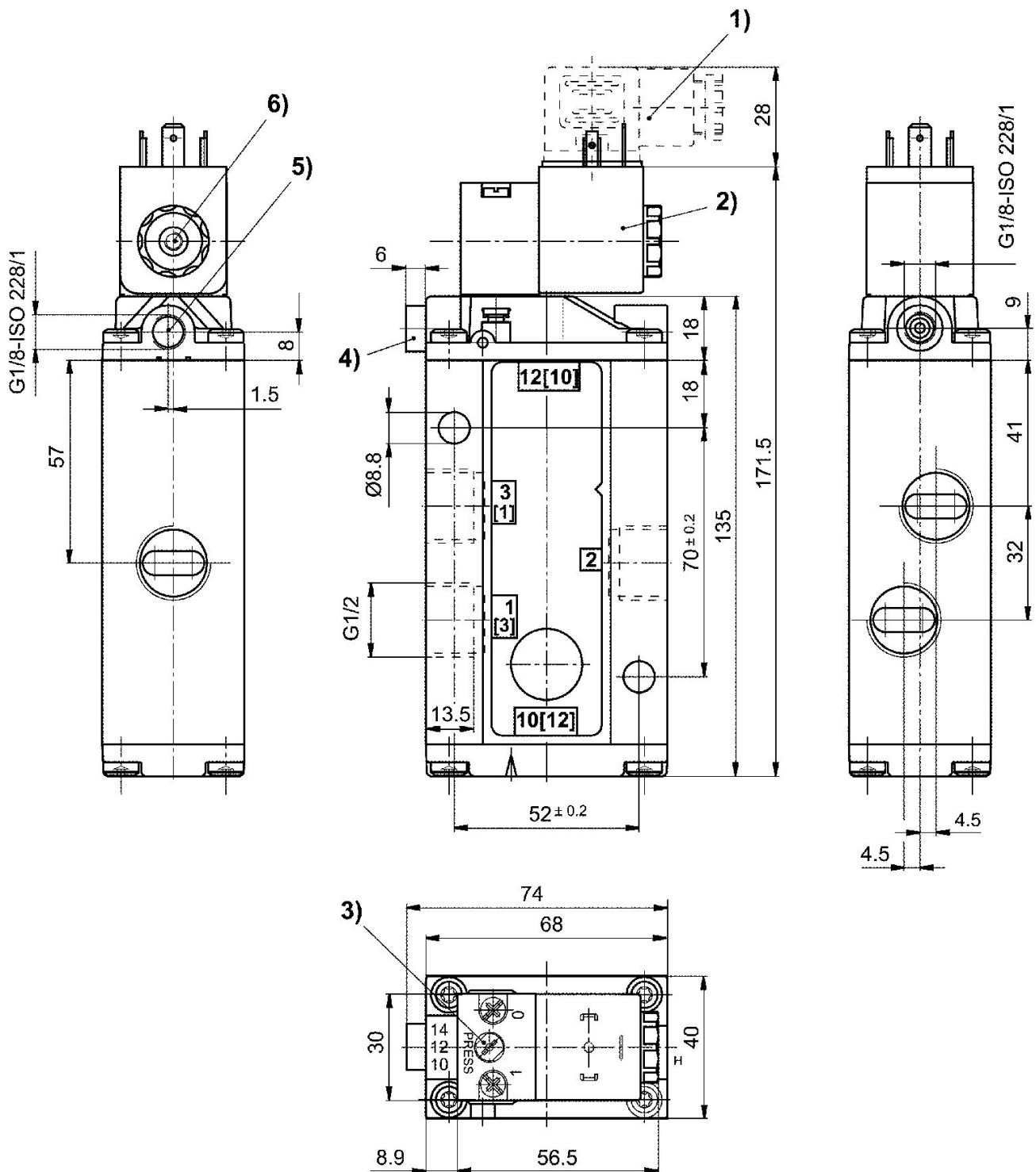
The min. control pressure must be adhered to, since otherwise faulty switching and valve failure may result!

The pressure dew point must be at least 15 °C under ambient and medium temperature and may not exceed 3 °C .

The oil content of compressed air must remain constant during the life cycle.

Use only the approved oils from AVENTICS. Further information can be found in the "Technical information" document (available in <https://www.emerson.com/en-us/support>).

Dimensions



- 1) Valve plug connector 2) Coil can be rotated at 90° intervals 3) Manual override
4) Port X (only for externally piloted valves) 5) Exhaust port of piston 6) Pilot valve exhaust, M5