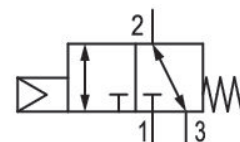


# 3/2-directional valve, Series CD12

5724555202

## General series information Series CD12

- The AVENTICS Series CD consists of various spool valves with an extremely durable die-cast zinc housing. Its electrical, pneumatic, or mechanical actuating controls (roller, lever, pedal, or plunger) make the Series CD ideal for applications in harsh environments.



## Technical data

Industry  
Industrial

Activation  
Electrically

Nominal flow Q<sub>n</sub>  
4000 l/min

Switching principle  
3/2

Version  
NC/NO

Compressed air connection output  
G 1/2

Working pressure min.  
2 bar

Working pressure max.  
16 bar

Pilot valve width  
30 mm

Valve type  
Spool valve, positive overlapping

basic valve with electrical connector  
Basic valve without pilot valve

Control pressure min.  
2 bar

Control pressure max.  
16 bar

Min. ambient temperature  
-25 °C

Electrical connection type  
Plug

Electrical connection size  
EN 175301-803, form A

Electrical connection number of poles  
3-pin

Actuating control  
Single Solenoid

Sealing principle  
Soft Seal

Pilot  
Internal

ATEX  
ATEX optional

Connection type  
Pipe connection

Return  
With spring return

Temperature resistance  
-25 °C cold-resistant

Max. ambient temperature  
70 °C

Min. medium temperature  
-25 °C

Max. medium temperature  
70 °C

Medium Compressed air	Oil content of compressed air min. 0 mg/m <sup>3</sup>
Max. particle size 50 µm	Oil content of compressed air max. 1 mg/m <sup>3</sup>

Standard compressed air connection according to ISO 228-1	Pilot control exhaust with directional pilot air exhaust
Compressed air connection input G 1/2	Nominal flow Qn 1 to 2 4000 l/min
Compressed air connection, exhaust G 1/2	Nominal flow Qn 2 to 3 4000 l/min

Duty cycle  
100 %

Pilot valve width 30 mm	Weight 0.7 kg
Connector standard EN 175301-803:2006	

Housing material Aluminum Polyamide fiber-glass reinforced	Polyurethane Part No. 5724555202
Seal material Acrylonitrile butadiene rubber	

## Technical information

ATEX optional: ATEX version can be produced by combining the basic valve without coil with an ATEX coil. ATEX ID: see ATEX coils catalog page.

option valve: The input and output compressed air connections can be exchanged. The valve can thereby be used in the NC or NO operating mode.

\*Note: Basic valves feature a maximum working pressure of 16 bar. When combined with standard CNOMO pilots, the maximum working pressure is 10 bar.

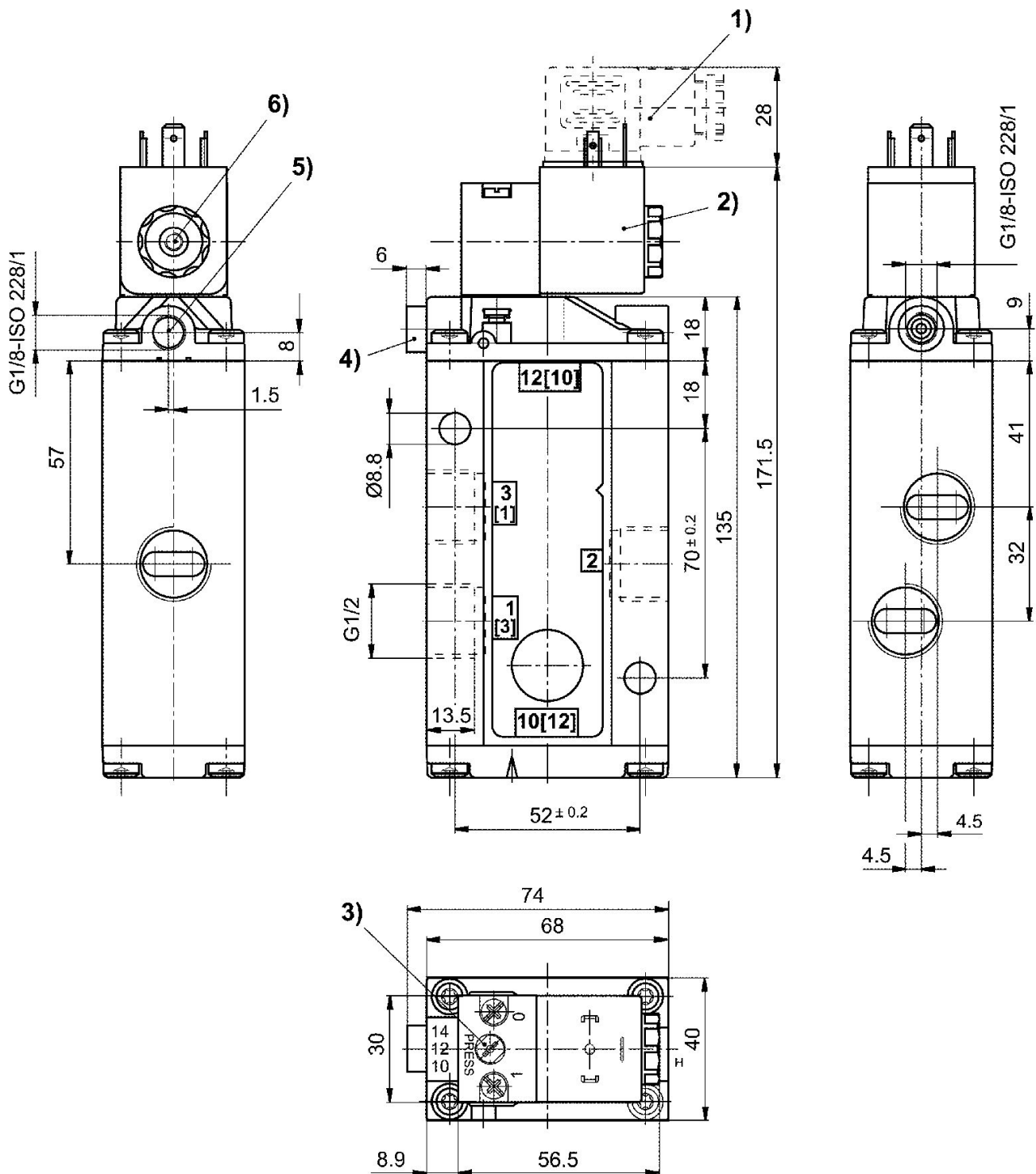
The min. control pressure must be adhered to, since otherwise faulty switching and valve failure may result!

The pressure dew point must be at least 15 °C under ambient and medium temperature and may not exceed 3 °C .

The oil content of compressed air must remain constant during the life cycle.

Use only the approved oils from AVENTICS. Further information can be found in the "Technical information" document (available in <https://www.emerson.com/en-us/support>).

Dimensions



1) Valve plug connector 2) Coil can be rotated at 90° intervals 3) Manual override  
4) Port X (only for externally piloted valves) 5) Exhaust port of piston 6) Pilot valve exhaust, M5