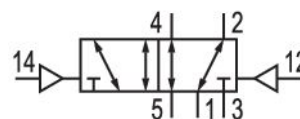


# 5/2-directional valve, Series CD12

5711001100

Series CD12

- $Q_n = [[3600 \dots 4100] \text{ l/min}]$



## Technical data

Industry

Industrial

Activation

Pneumatically

Valve type

Spool valve, positive overlapping

Sealing principle

soft seal

Connection type

Pipe connection

Compressed air connection input

G 1/2

Compressed air connection output

G 1/2

Compressed air connection, exhaust

G 1/2

Compressed air connection pilot input

G 1/8

Nominal flow  $Q_n$

4100 l/min

Nominal flow  $Q_n$  1 to 2

4100 l/min

Working pressure min.

-0.95 bar

Working pressure max	16 bar
Control pressure min.	2 bar
Control pressure max.	10 bar
ATEX	Suitable for ATEX
Min. ambient temperature	-25 °C
Max. ambient temperature	70 °C
Min. medium temperature	-25 °C
Max. medium temperature	70 °C
Medium	Compressed air
Oil content of compressed air min.	0 mg/m <sup>3</sup>
Oil content of compressed air max.	1 mg/m <sup>3</sup>
Max. particle size	50 µm
Weight	0.86 kg

## Material

Housing material	Aluminum Polyamide fiber-glass reinforced
Seal material	Acrylonitrile butadiene rubber Polyurethane
Part No.	5711001100

## Technical information

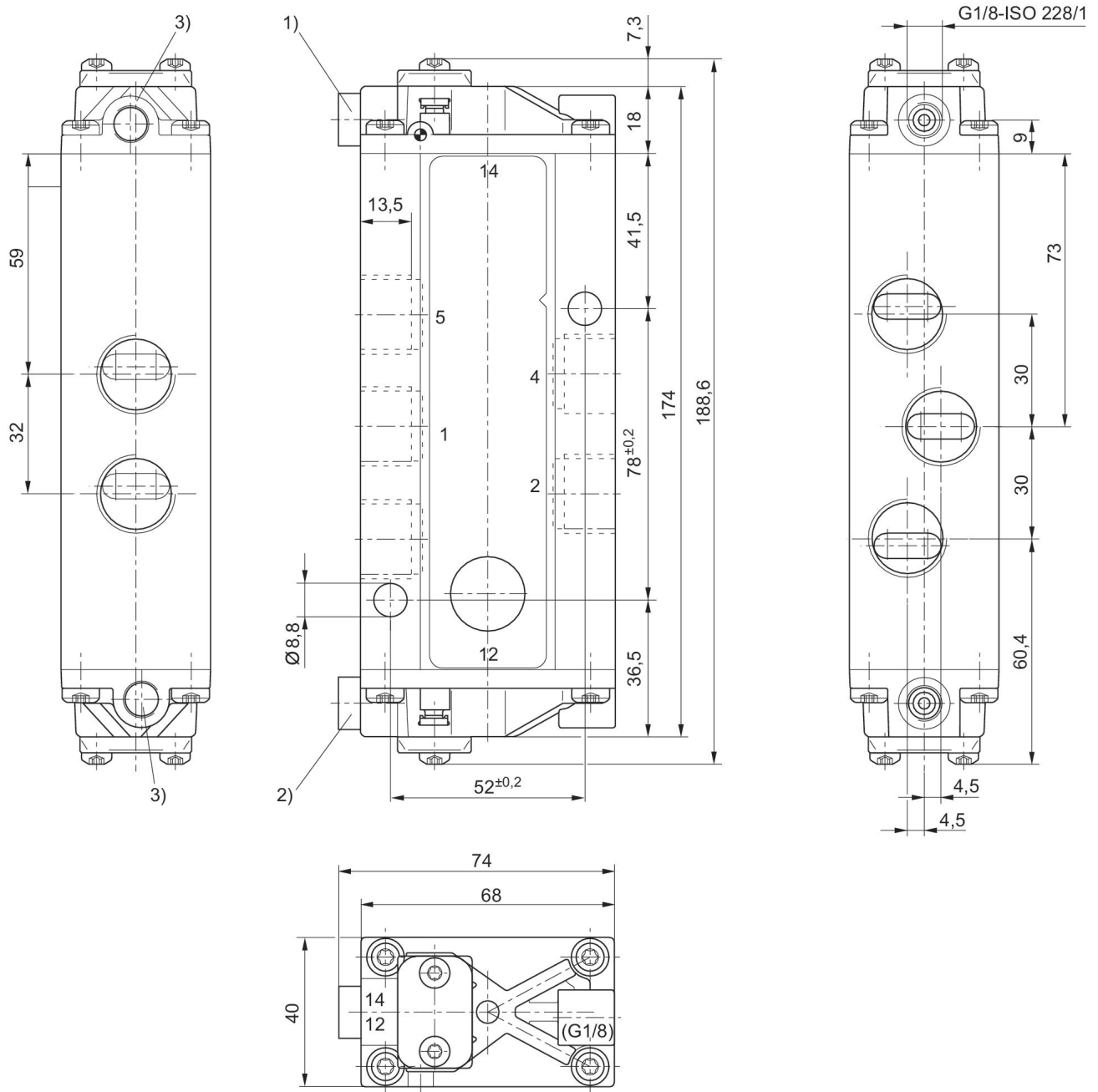
The min. control pressure must be adhered to, since otherwise faulty switching and valve failure may result!

The pressure dew point must be at least 15 °C less than ambient and medium temperature and may not exceed 3 °C.

The oil content of compressed air must remain constant during the life cycle.

Use only the approved oils from AVENTICS. Further information can be found in the "Technical information" document (available in <https://www.emerson.com/en-us/support>).

## Dimensions



1) Port 14 2) Port 12 3) Port without function