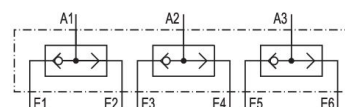
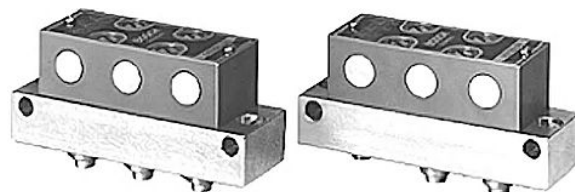


Shuttle valves (OR)

2023-10-11

0821000008

AVENTICS Logic valves



Technical data

Industry	Industrial
Sealing principle	Soft seal
Type	Poppet valve
Medium	Compressed air
Max. particle size	1 μm
Min. ambient temperature	0 $^{\circ}\text{C}$
Max. ambient temperature	80 $^{\circ}\text{C}$
Min. medium temperature	0 $^{\circ}\text{C}$
Max. medium temperature	80 $^{\circ}\text{C}$
Min. oil content of compressed air	0 mg/m^3
Max. oil content of compressed air	1 mg/m^3
Logic function	Shuttle valves (OR)
Connection type	Plate valve with pipe connection
Compressed air connection input	$\varnothing 4$
Compressed air connection output	$\varnothing 4$
Nominal flow Q_n	80 l/min
Min. working pressure	1 bar
Max. working pressure	10 bar
Weight	0.15 kg
Housing material	Polyamide
Seal material	Acrylonitrile butadiene rubber
Material threaded bushing	Aluminum chill casting
Part No.	0821000008

Technical information

The pressure dew point must be at least 15 °C less than ambient and medium temperature and may not exceed 3 °C.

The oil content of compressed air must remain constant during the life cycle.

Use only the approved oils from AVENTICS. Further information can be found in the “Technical information” document (available in <https://www.emerson.com/en-us/support>).

The min. control pressure must be adhered to, since otherwise faulty switching and valve failure may result!

The pressure dew point must be at least 15 °C less than ambient and medium temperature and may not exceed 3 °C.

The oil content of compressed air must remain constant during the life cycle.

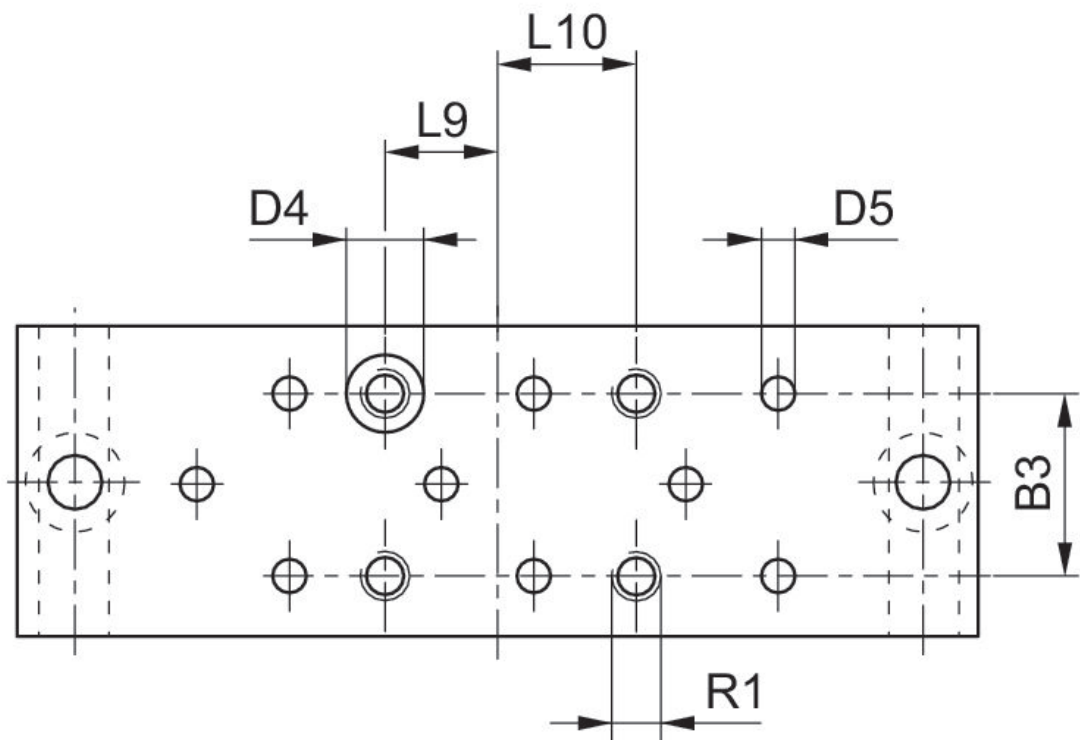
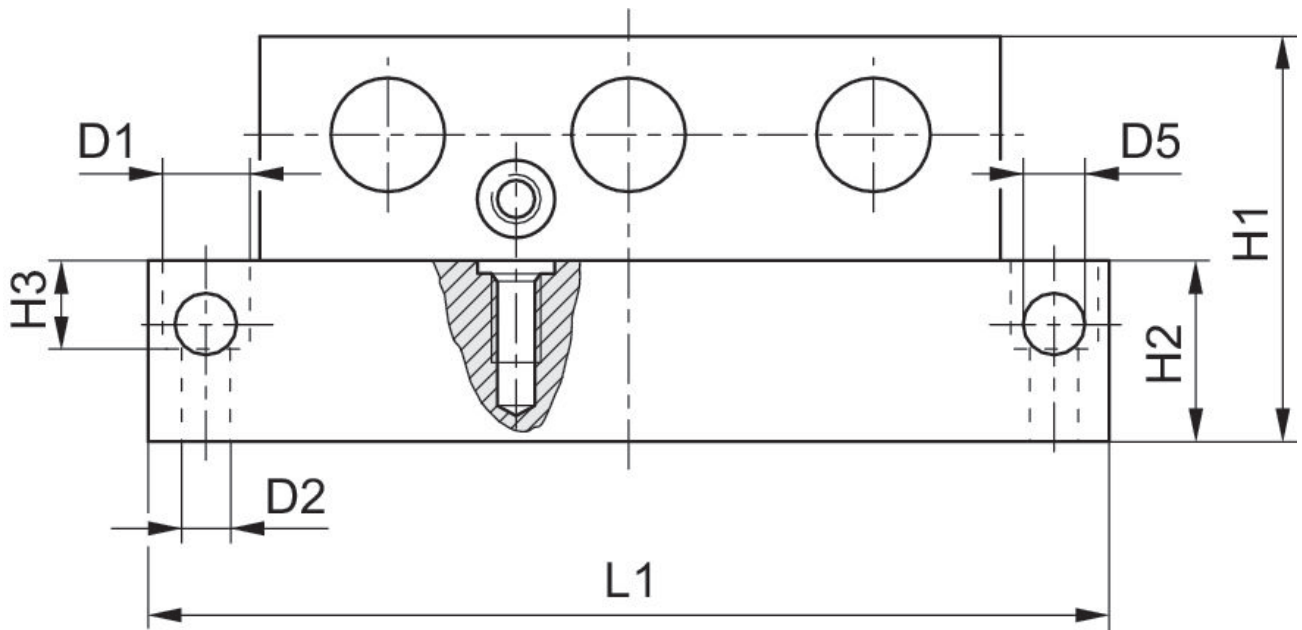
Use only the approved oils from AVENTICS. Further information can be found in the “Technical information” document (available in <https://www.emerson.com/en-us/support>).

Shuttle valves (OR)

2023-10-11

0821000008

Dimensions



Part No.	R1	D1	D2	D3	D4	D5	H1	H2	H3
0821000008	M4	8	4	5.3	6.2	2.5	34	15	7.2
0821000009	M4	8	4	5.3	6.2	2.5	34	15	7.2
0821001008	M4	8	4	5.3	6.2	2.5	34	15	7.2

Shuttle valves (OR)

2023-10-11

0821000008

L1	L9	L10	B3
80	9.5	11	15
80	9.5	11	15
80	9.5	11	15