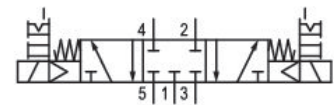
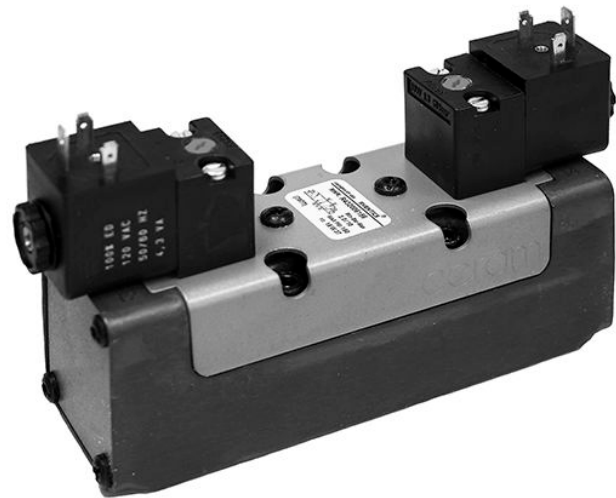


- Qn max. 2400 l/min

AVENTICS Series CERAM Directional valves

ISO 5599-1, size 1- 4, Series CERAM™



Technical data

| | |
|---|-------------------------------|
| Industry | Industrial |
| Activation | Electrically |
| Frame size | ISO 2 |
| Switching principle | 5/3, closed center |
| Valve function | Closed Center |
| Actuating control | Double Solenoid |
| Sealing principle | Ceramic |
| Connection type | Plate connection |
| Manual override | with detent without detent |
| Standard compressed air connection | according to ISO 5599-1 |
| Compressed air connection pilot exhaust | Base plate ISO 5599-1 |
| Nominal flow Qn | 2400 l/min |
| Min. working pressure | 0 bar |
| Max. working pressure | 10.3 bar |
| Min. control pressure | 2 bar |

5/3-directional valve, Series CERAM™, size 2

CERAM™

R432006076

2023-10-26

| | |
|------------------------------------|------------------------------|
| Max. control pressure | 10.3 bar |
| Electrical connection type | Plug |
| Electrical connection size | EN 175301-803, form A |
| Protection class according to NEMA | NEMA 4 |
| Operational voltage | 110 V AC |
| Operational voltage AC at 50 Hz | 110 V |
| Voltage tolerance AC 50 Hz | -10% / +10% |
| Operational voltage AC at 60 Hz | 120 V |
| Voltage tolerance AC 60 Hz | -10% / +10% |
| Pilot | Internal |
| Coil width | 30 mm |
| Pilot valve width | 30 mm CNOMO |
| Holding power AC 50 Hz | 3.7 VA |
| Holding power AC 60 Hz | 3.7 VA |
| Switch-on power AC 50 Hz | 6.4 VA |
| Switch-on power AC 60 Hz | 6.4 VA |
| Blocking principle | Single base plate principle |
| Can be assembled into blocks | Can be assembled into blocks |
| Valve plug connector | Without valve plug connector |
| Standards | ISO 5599-1 |
| Min. ambient temperature | -15 °C |
| Max. ambient temperature | 66 °C |
| Min. medium temperature | -15 °C |
| Max. medium temperature | 66 °C |
| Medium | Compressed air |
| Mounting screws | M6 with hexagon socket |
| Mounting screw tightening torque | 2.2 Nm |
| Weight | 2.15 kg |
| Material | |
| Housing material | Die-cast aluminum |
| Surface housing | painted gray |
| Part No. | R432006076 |

Technical information

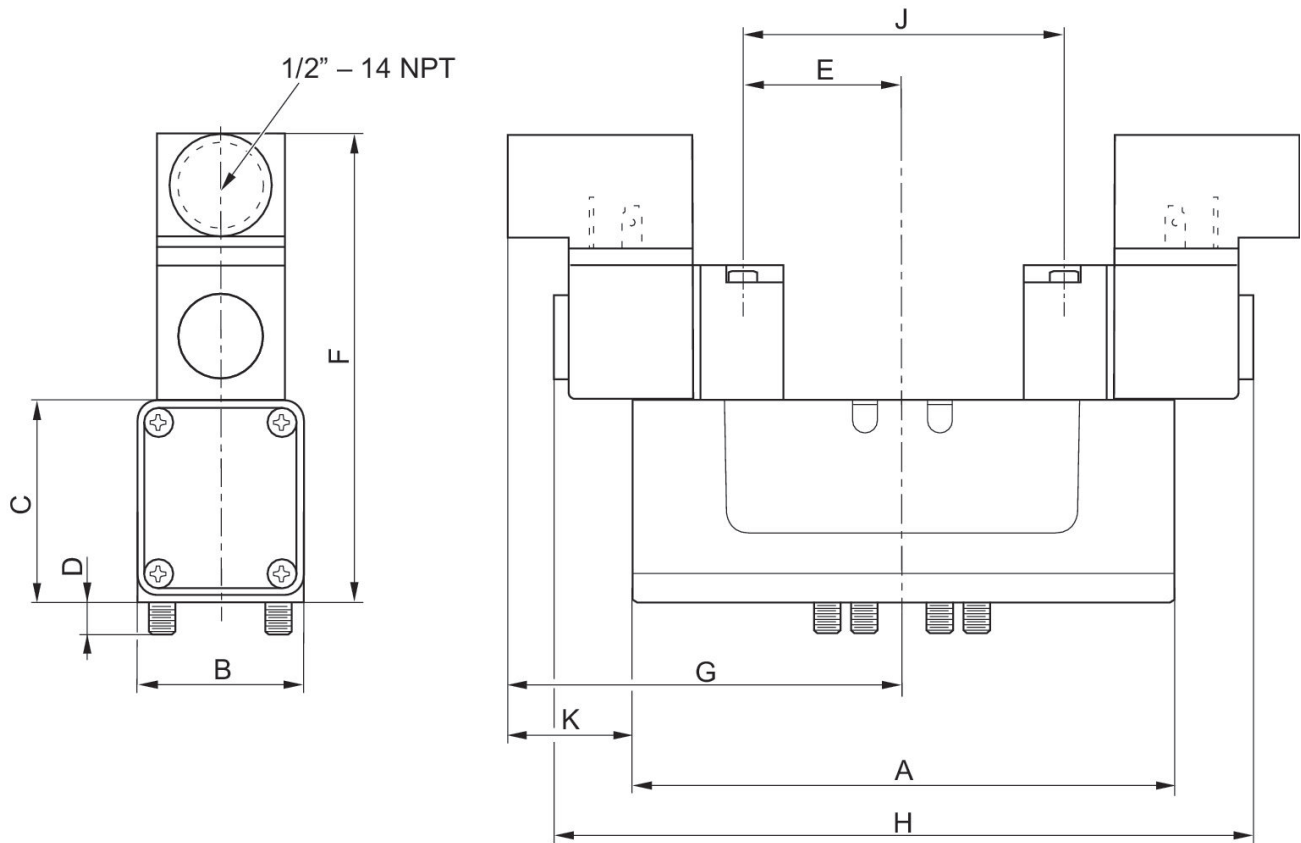
The min. control pressure must be adhered to, since otherwise faulty switching and valve failure may result!

The pressure dew point must be at least 15 °C less than ambient and medium temperature and may not exceed 3 °C.

The oil content of compressed air must remain constant during the life cycle.

Use only the approved oils from AVENTICS. Further information can be found in the “Technical information” document (available in <https://www.emerson.com/en-us/support>).

Dimensions in inches



Dimensions in inches

| Part No. | A | B | C | D | E | F | G | H | J |
|------------|------|------|-----|------|------|-----|------|------|------|
| R432006078 | 5.82 | 2.03 | 2.3 | 0.39 | 1.57 | 4.9 | 3.54 | 7.09 | 3.15 |
| R432006079 | 5.82 | 2.03 | 2.3 | 0.39 | 1.57 | 4.9 | 3.54 | 7.09 | 3.15 |
| R432006082 | 5.82 | 2.03 | 2.3 | 0.39 | 1.57 | 4.9 | 3.54 | 7.09 | 3.15 |
| R432006076 | 5.82 | 2.03 | 2.3 | 0.39 | 1.57 | 4.9 | 3.54 | 7.09 | 3.15 |

5/3-directional valve, Series CERAM™, size 2

CERAM™

R432006076

2023-10-26

| Part No. | A | B | C | D | E | F | G | H | J |
|------------|------|------|-----|------|------|-----|------|------|------|
| R432006077 | 5.82 | 2.03 | 2.3 | 0.39 | 1.57 | 4.9 | 3.54 | 7.09 | 3.15 |
| R432002443 | 5.82 | 2.03 | 2.3 | 0.39 | 1.57 | 4.9 | 3.54 | 7.09 | 3.15 |

| Part No. | K |
|------------|------|
| R432006078 | 0.92 |
| R432006079 | 0.92 |
| R432006082 | 0.92 |
| R432006076 | 0.92 |
| R432006077 | 0.92 |
| R432002443 | 0.92 |