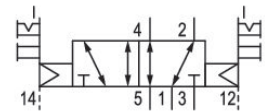
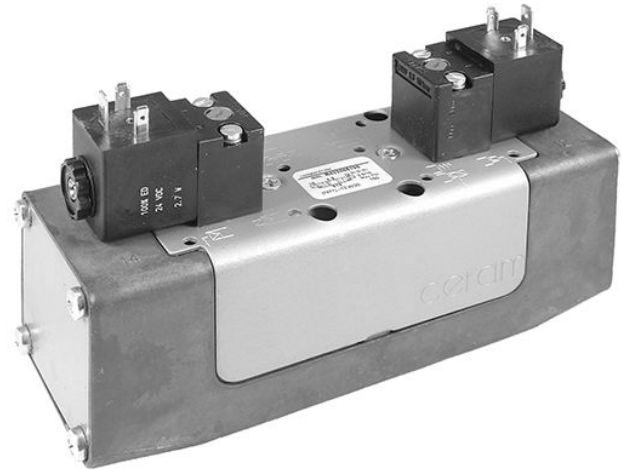


- Qn max. 7500 l/min

## AVENTICS Series CERAM Directional valves

ISO 5599-1, size 1- 4, Series CERAM™



### Technical data

Industry	Industrial
Activation	Electrically
Frame size	ISO 4
Basic valve equipment	Basic valve without coil
Switching principle	5/2, double solenoid
Actuating control	Double Solenoid
Sealing principle	Ceramic
Connection type	Plate connection
Manual override	with detent without detent
Standard compressed air connection	according to ISO 5599-1
Compressed air connection pilot exhaust	Base plate ISO 5599-1
Nominal flow Qn	7500 l/min
Min. working pressure	0 bar
Max. working pressure	10.3 bar
Min. control pressure	2.5 bar

# 5/2-directional valve, Series CERAM™, size 4

CERAM™

R432002466

2023-10-25

---

Max. control pressure	10.3 bar
Protection class according to NEMA	NEMA 4
Pilot	External
Pilot valve width	30 mm CNOMO
Blocking principle	Single base plate principle
Can be assembled into blocks	Can be assembled into blocks
Valve plug connector	Without valve plug connector
Standards	ISO 5599-1
Min. ambient temperature	-15 °C
Max. ambient temperature	66 °C
Min. medium temperature	-15 °C
Max. medium temperature	66 °C
Medium	Compressed air
Mounting screws	M5 with hexagon socket
Mounting screw tightening torque	2.2 Nm
Weight	2.32 kg

## Material

Housing material	Die-cast aluminum
Surface housing	painted gray
Part No.	R432002466

## Technical information

The min. control pressure must be adhered to, since otherwise faulty switching and valve failure may result!

The pressure dew point must be at least 15 °C less than ambient and medium temperature and may not exceed 3 °C.

The oil content of compressed air must remain constant during the life cycle.

Use only the approved oils from AVENTICS. Further information can be found in the "Technical information" document (available in <https://www.emerson.com/en-us/support>).

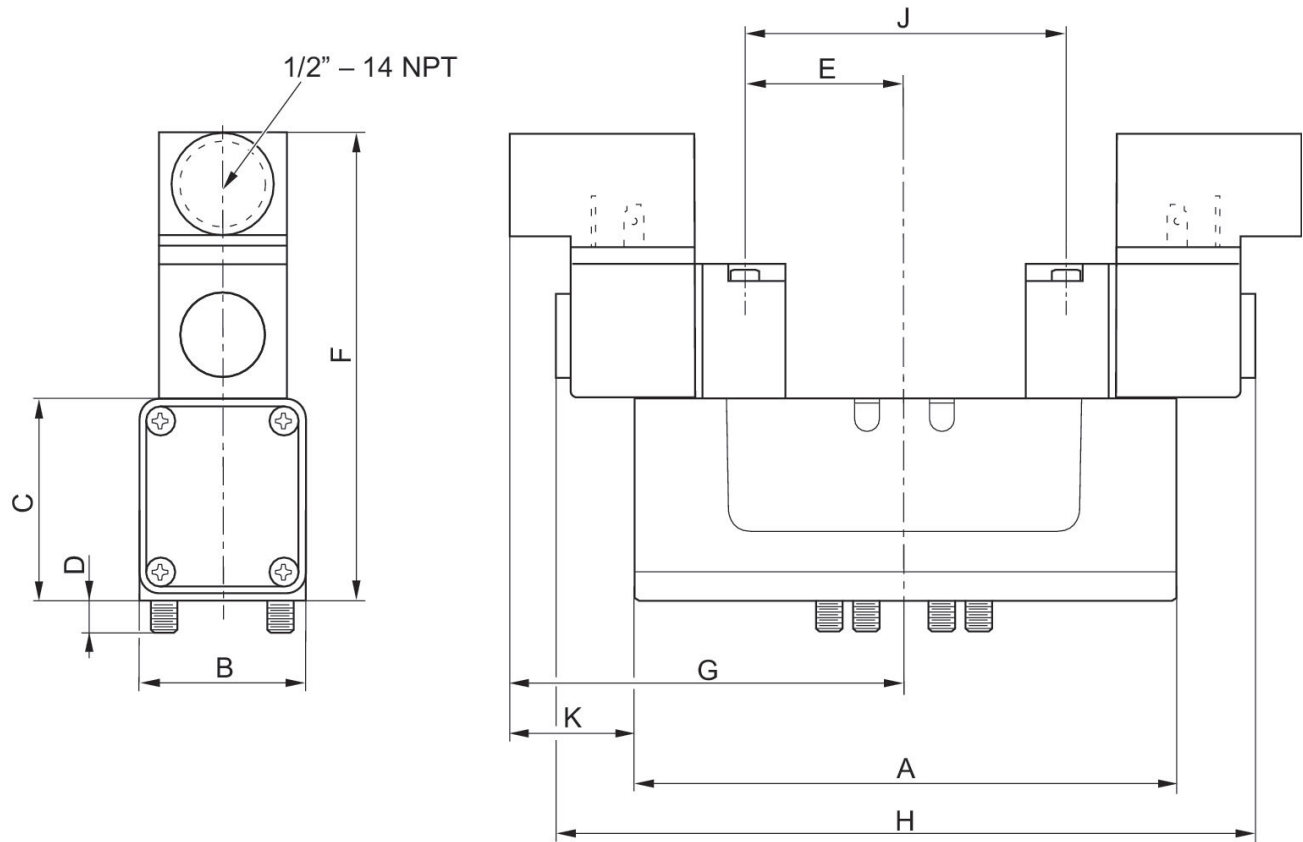
# 5/2-directional valve, Series CERAM™, size 4

CERAM™

R432002466

2023-10-25

## Dimensions in inches



## Dimensions in inches

Part No.	A	B	C	D	E	F	G	H	J
R432030353	8.62	3.09	2.89	0.41	1.62	5.32	6.65	13.31	3.25
R432006341	8.62	3.09	2.89	0.41	1.62	5.32	6.65	13.31	3.25
R432030178	8.62	3.09	2.89	0.41	1.62	5.32	6.65	13.31	3.25
R432006339	8.62	3.09	2.89	0.41	1.62	5.32	6.65	13.31	3.25
R432006340	8.62	3.09	2.89	0.41	1.62	5.32	6.65	13.31	3.25
R432002469	8.62	3.09	2.89	0.41	1.62	5.32	6.65	13.31	3.25
repeat-Column									

K
0.68
0.68
0.68
0.68
0.68
0.68