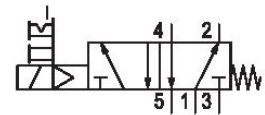


- Qn max. 7500 l/min

AVENTICS Series CERAM Directional valves

ISO 5599-1, size 1- 4, Series CERAM™



Technical data

Industry

Industrial

Activation

Electrically

Frame size

ISO 4

Switching principle

5/2, with spring return

Actuating control

Single Solenoid

Sealing principle

Ceramic

Connection type

Plate connection

Manual override

with detent
without detent

Standard compressed air connection

according to ISO 5599-1

Compressed air connection pilot exhaust

Base plate ISO 5599-1

Nominal flow Qn

7500 l/min

Min. working pressure

0 bar

Max. working pressure

10.3 bar

Min. control pressure

2.5 bar

Max. control pressure

10.3 bar

5/2-directional valve, Series CERAM™, size 4

CERAM™

R432006326

2023-10-25

Electrical connection type	Plug
Electrical connection size	EN 175301-803, form A
Protection class according to NEMA	NEMA 4
Operational voltage	24 V DC
Operational voltage DC	24 V
Voltage tolerance DC	-10% / +10%
Pilot	Internal
Coil width	30 mm
Pilot valve width	30 mm
Power consumption DC	2.7 W
Blocking principle	Single base plate principle
Can be assembled into blocks	Can be assembled into blocks
Valve plug connector	Without valve plug connector
Standards	ISO 5599-1
Min. ambient temperature	-15 °C
Max. ambient temperature	66 °C
Min. medium temperature	-15 °C
Max. medium temperature	66 °C
Medium	Compressed air
Mounting screws	M8 with hexagon socket
Mounting screw tightening torque	9.2 Nm
Weight	2.38 kg

Material

Housing material	Die-cast aluminum
Surface housing	painted gray
Part No.	R432006326

Technical information

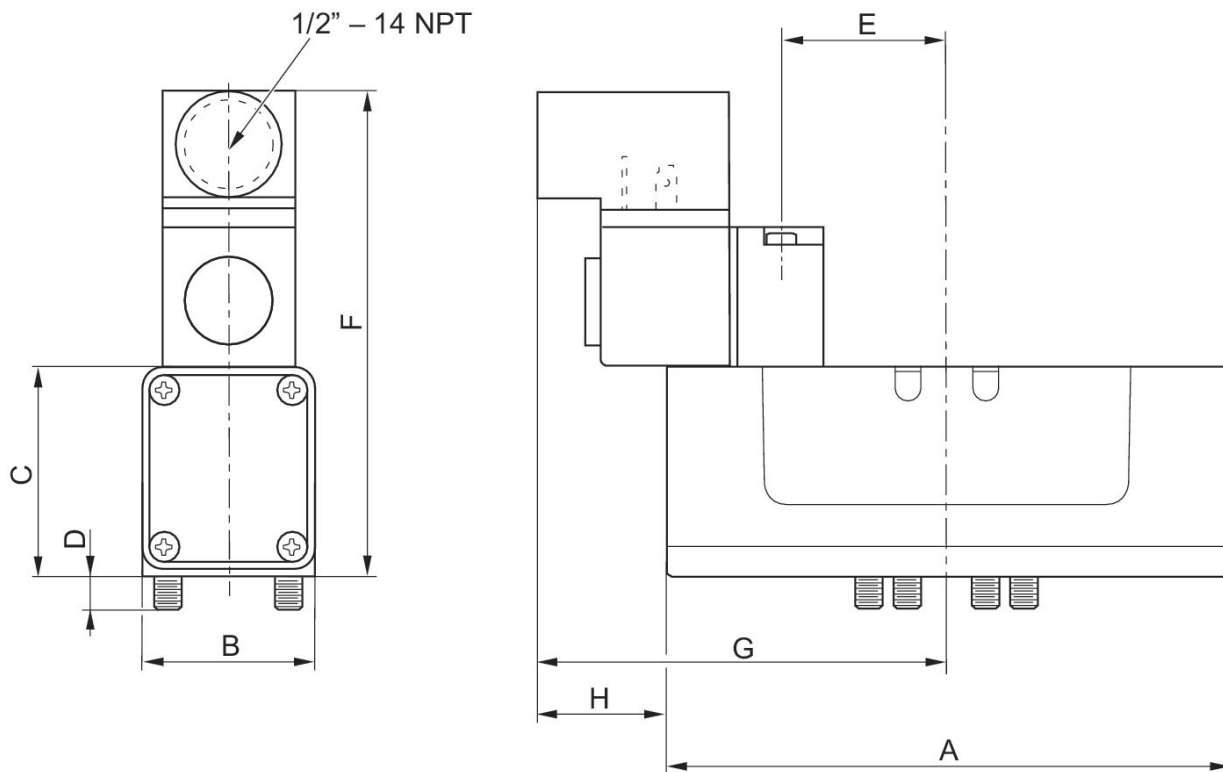
The min. control pressure must be adhered to, since otherwise faulty switching and valve failure may result!

The pressure dew point must be at least 15 °C less than ambient and medium temperature and may not exceed 3 °C.

The oil content of compressed air must remain constant during the life cycle.

Use only the approved oils from AVENTICS. Further information can be found in the “Technical information” document (available in <https://www.emerson.com/en-us/support>).

Dimensions in inches



Dimensions in inches

Part No.	A	B	C	D	E	F	G	H
R432006325	8.62	3.09	2.89	0.41	1.62	5.23	6.65	0.68
R432006326	8.62	3.09	2.89	0.41	1.62	5.23	6.65	0.68
R432030177	8.62	3.09	2.89	0.41	1.62	5.23	6.65	0.68
R432006321	8.62	3.09	2.89	0.41	1.62	5.23	6.65	0.68
R432006323	8.62	3.09	2.89	0.41	1.62	5.23	6.65	0.68
R432002467	8.62	3.09	2.89	0.41	1.62	5.23	6.65	0.68

5/2-directional valve, Series CERAM™, size 4

R432006326

CERAM™

2023-10-25

Part No.	A	B	C	D	E	F	G	H
repeat-Column								