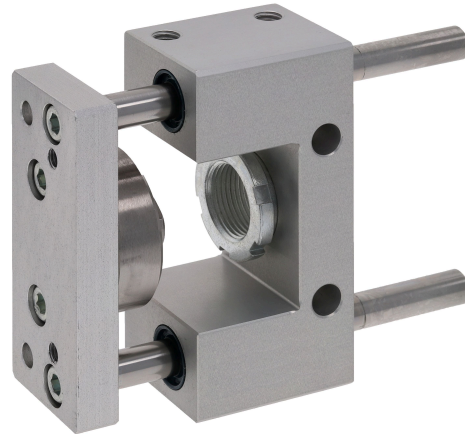


## AVENTICS Guide units



### Technical data

Industry	Industrial
Piston Ø	12 mm
Stroke	200 mm
Bearing type	Plain bearing
For standard cylinders	ISO 6432
Min. ambient temperature	-20 °C
Max. ambient temperature	80 °C
Weight 0 mm stroke	0.247 kg
Weight +10 mm stroke	0.0078 kg

### Material

Bearing housings	Aluminum
Surface bearing housing	colorless anodized
Bearing type	Sintered bronze
Carrying plate	Aluminum
Surface carrying plate	colorless anodized
Material flexible coupling in carrying plate	Stainless Steel
Material guide rods	Hardened heat-treated steel
Surface guide rods	ground

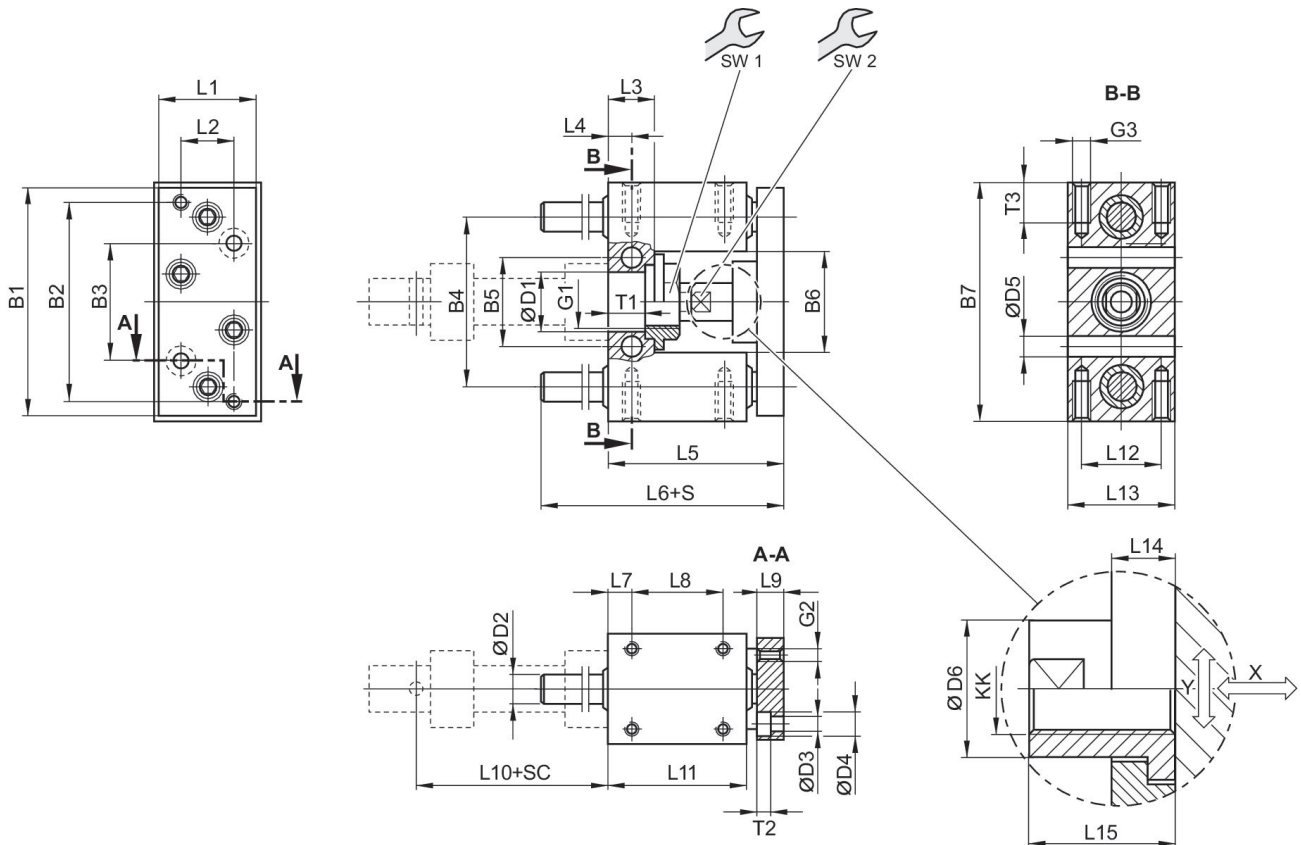
Part No.

0821401097

## Technical information

Guide units for cylinder  $\varnothing$  12 also fit on cylinder  $\varnothing$  16

## Dimensions



S = stroke  
 SC = cylinder stroke  
 X = max. play (axial)  
 Y = min. play (radial)

Piston $\varnothing$	B1	B2	B3	B4	B5	B6	B7	D1	D2
12	63	54	32	46	24	27	65	16 H7	8

Piston $\varnothing$	D3	D4	D5	D6	G1	G2	G3	KK	L1
12	4.5	8	5.5	10	M16x1,5	M4	M4	M6	27

Piston $\varnothing$	L2	L3	L4	L5	L6	L7	L8	L9	L10
12	15	13	6.5	53	73	6.5	25	10	52.6

# Guide unit GU1, Series CG1

0821401097

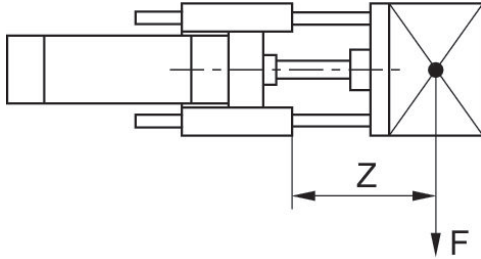
Guide units

2023-12-06

Piston Ø	L11	L12	L13	L14	L15	SW1	SW2	T1	T2
12	38	22	30	7	18	19	8	10.6	4.6

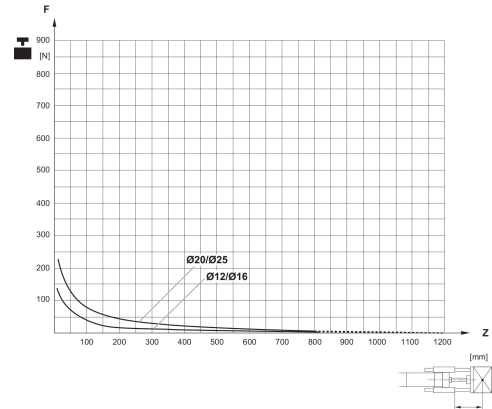
Piston Ø	T3
12	8

## Useful load



F = Useful load, Z = Projection

## Useful load



F = Useful load, Z = Projection