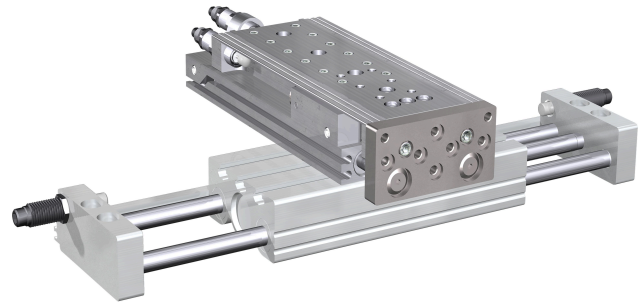


AVENTICS Series Easy-2-Combine Interface

The AVENTICS Easy-2-Combine standardized mounting interface with interlocking connections make it possible to combine the mini slide, rodless cylinders and rotary modules into multi-axis systems without additional connection plates. This simplifies machine design and construction and saves time and money.



Technical data

Industry

Industrial

For series

GPC-ST
MSC

Easy2Combine basic

RTC-HD 16
RTC-HD 25

Easy2Combine add-on part

MSC-12

Easy2Combine kit

CK2-LI-02

Weight

0.02 kg

Material

Material centering sleeve

Stainless Steel

Connection plate material

Aluminum

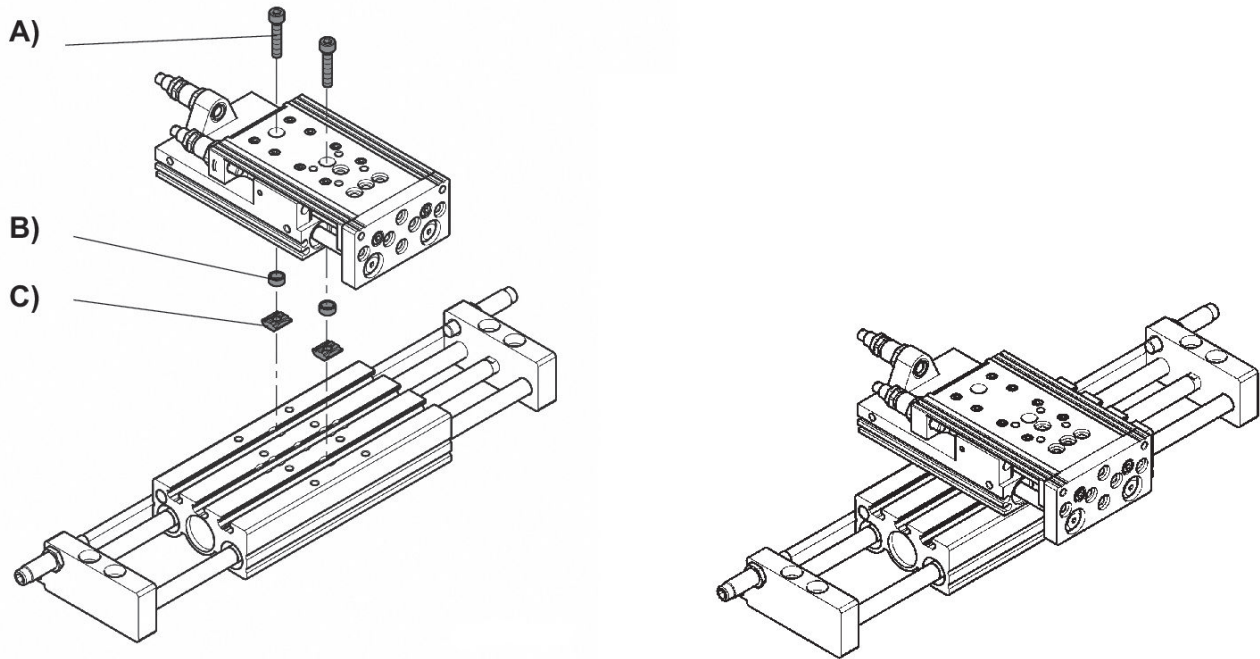
Screws material

Steel, chrome-plated

Part No.

R412004688

Dimensions



- 1) Screws
- 2) centering sleeves
- 3) T-groove nut

Easy2Combine kit	A 1)	B	C
CK2-LI-01	2 x M4x16	2 x Ø 9-7	2 x N6 / M4

1) tightening torque M4 = 3,5 Nm ± 10%, M5 = 6,0 Nm ± 10%