

Bolts



Technical data

Industry	Industrial
Standardization	ISO 15552
Piston diameter	160 mm
	200 mm
Axle pivot Ø	30 mm
Weight	0.99 kg

Material

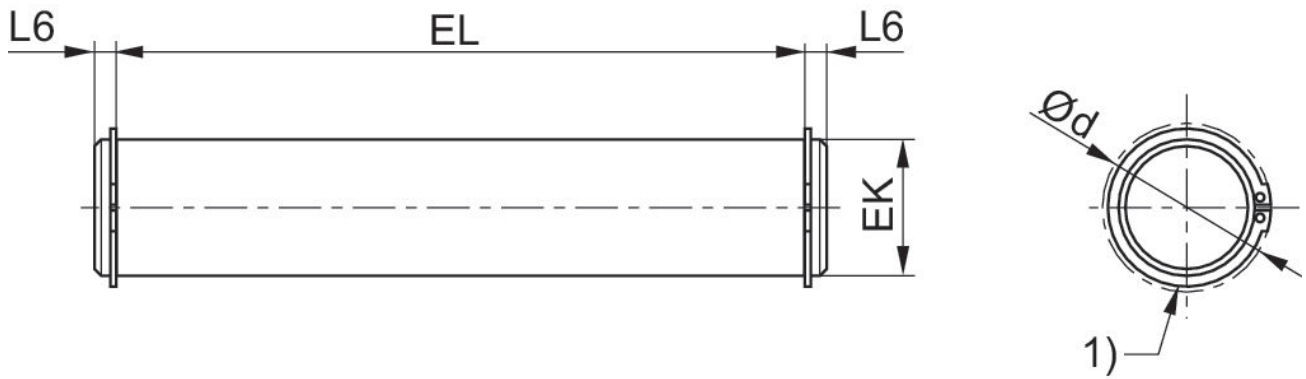
Housing material	Steel, chrome-plated
Surface housing	galvanized
Fig.	Fig. 2
Part No.	5237000092

Bolts AA4, Series CM1

5237000092

Bolts

2023-11-14



1) circlip DIN 471

Piston Ø	Part No.	Ø d max.	EK e8	EL	L6 max.
25, 30	3661302000	19	10	29.2	2.4
40, 50	3661303000	21	12	34.4	2.8
63, 80	3661304000	28	16	48.4	2.8
100	3661306000	40	20	58.4	3.3
125	5236000092	34.2	25	132 +0,5	3.75
160, 200	5237000092	40.5	30	172 +0,5	4.25
250	5239000092	52.6	40	202 +0,5	6.75
320	5239010092	59.1	45	222 +0,5	7.25