

# Non-rotating axle AA6, series CM1

5237000082

Bolts

2023-11-14

---

## Bolts



## Technical data

Industry

Industrial

Version

For clevis mountings AB6

Standardization

ISO 15552

Piston diameter

160 mm

200 mm

Axle pivot Ø

35 mm

## Material

Housing material

Stainless Steel

Fig.

Fig. 2

Part No.

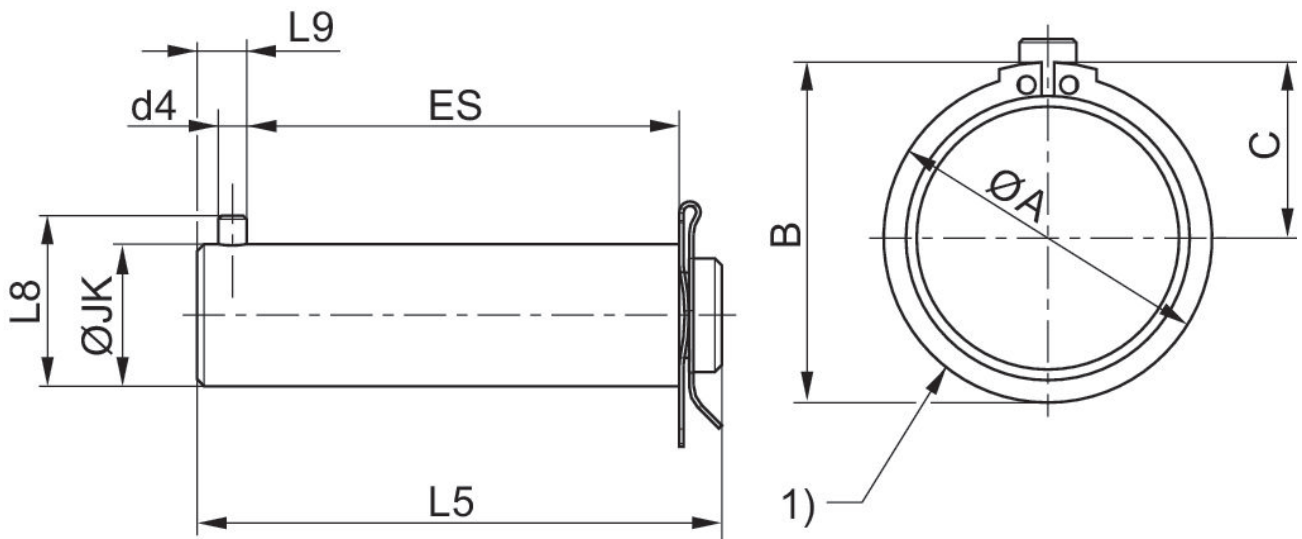
5237000082

# Non-rotating axle AA6, series CM1

5237000082

Bolts

2023-11-14



Piston Ø	Part No.	A	B	C	Ø d4 H12	JK h9	ES	L5	L8
125	5236000082	36	37.5	19.5	6	30	88	106	36
160, 200	5237000082	41,5	43	22,5	6	35	113	131	41

Piston Ø	L9
125	13
160, 200	13