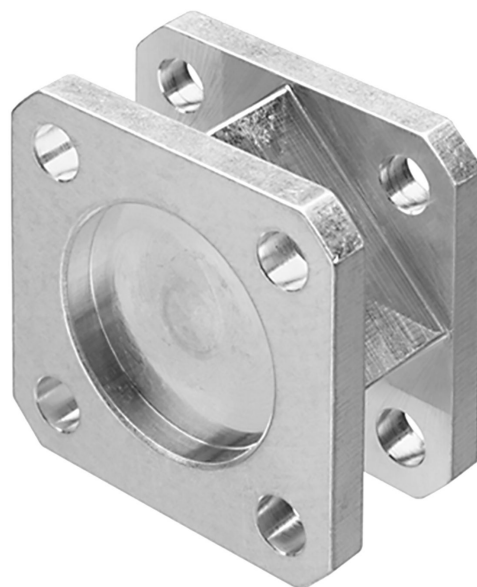


Intermediate flange JP1, Series CM1

1827020249

General series information
AVENTICS Intermediate flanges



Technical data

Industry

Industrial

Version

for multi-position cylinders

Piston diameter

50 mm

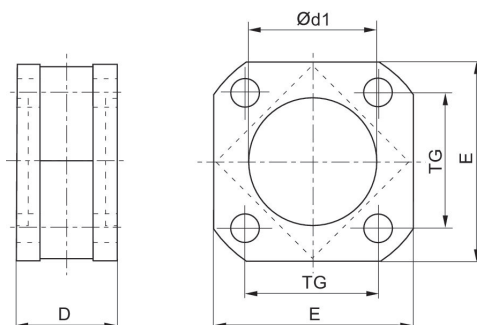
Material

Housing material

Aluminum

Part No.

1827020249



| Piston Ø | Part No. | D | Ø d1 N7 | E | TG |
|----------|------------|----|---------|-----|------|
| 32 | 1827020247 | 27 | 30 | 47 | 32.5 |
| 40 | 1827020248 | 27 | 35 | 53 | 38 |
| 50 | 1827020249 | 32 | 40 | 65 | 46.5 |
| 63 | 1827020250 | 28 | 45 | 75 | 56.5 |
| 80 | 1827020251 | 38 | 45 | 95 | 72 |
| 100 | 1827020252 | 38 | 55 | 115 | 89 |
| 125 | 1827020253 | 44 | 60 | 140 | 110 |