

Intermediate flange JP2, Series CM1

1827020272

General series information
AVENTICS Intermediate flanges

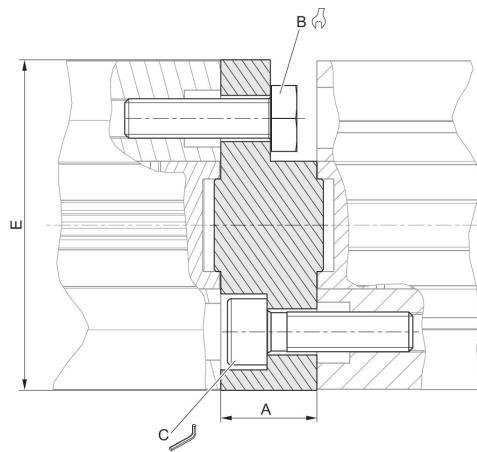


Technical data

| | |
|-----------------|------------------------------|
| Industry | Industrial |
| Version | for multi-position cylinders |
| For series | CCI KPZ |
| Piston diameter | 63 mm |

Material

| | |
|------------------|------------|
| Housing material | Aluminum |
| Part No. | 1827020272 |



| Piston Ø | Part No. | For series | A | B | C | Md [Nm] 1) | E |
|----------|------------|------------|------|----|---|------------|------|
| 16 | 1827020290 | CCI, KPZ | 12.5 | 7 | – | 2.5 | 28.4 |
| 20 | 1827020267 | CCI, KPZ | 12.5 | 8 | – | 4 | 35 |
| 25 | 1827020268 | CCI, KPZ | 13 | 8 | 4 | 4 | 40 |
| 32 | 1827020269 | CCI, KPZ | 14.5 | 10 | 5 | 4 | 50 |
| 40 | 1827020270 | CCI, KPZ | 14.5 | 10 | 5 | 4 | 57.1 |
| 50 | 1827020271 | CCI, KPZ | 14.5 | 13 | 6 | 8 | 67.4 |
| 63 | 1827020272 | CCI, KPZ | 14.5 | 13 | 6 | 8 | 80 |
| 80 | R412024535 | KPZ | 16.5 | 16 | 8 | 16 | 95 |
| 80 | 1827020273 | CCI | 16.5 | 16 | – | 16 | 98.4 |
| 100 | R412024536 | CCI | 19.5 | 16 | 8 | 16 | 115 |
| 100 | 1827020274 | KPZ | 19.5 | 16 | – | 16 | 120 |

1) torque