

Clevis mounting MP2, Series CM1

3682902590

Clevis
mounting

2024-03-26

AVENTICS Clevis mountings



Technical data

Industry

Industrial

Version

for rear eye MP9 with rubber bushing

For series

167

CCL-IC

CCL-IS

Piston diameter

25 mm

Material

Material

Aluminum

Surface

anodized

Screws material

Stainless Steel

Material bolt

Stainless Steel

Part No.

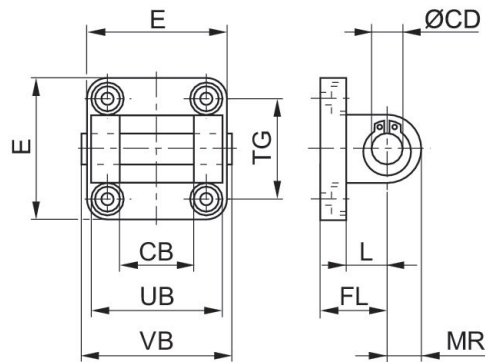
3682902590

Clevis mounting MP2, Series CM1

3682902590

Clevis
mounting

2024-03-26



Part No.	Cylinders Ø	CB H14	Ø CD H9	E max.	FL	L min.	MR	UB h14	VB
3682902590	25	18	10	40	20	14	9	36	42,5
3672903000	32	26	10	47,5	22	12	11	45	64
3672904000	40	28	12	53,5	25	15	13	52	71
3672905000	50	32	12	64	27	15	13	60	79
3672906000	63	40	16	74	32	18	17	70	93
3672908000	80	50	16	95	36	20	17	90	113
3672910000	100	60	20	113,5	41	25	21	110	133

Part No.	Cylinders Ø	TG *contains elongated hole
3682902590	25	26/27*
3672903000	32	32
3672904000	40	40*
3672905000	50	46
3672906000	63	59*
3672908000	80	73
3672910000	100	90*