

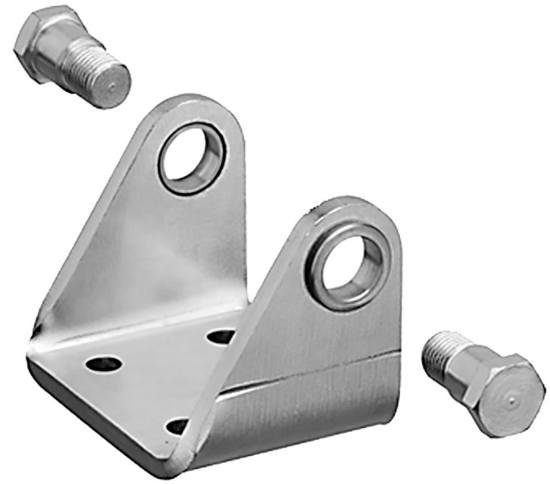
Trunnion mounting MP2, Series CM1

R412019989

Trunnion
mountings

2023-10-26

AVENTICS Trunnion mountings



Technical data

Industry

Industrial

For series

RPC

Piston diameter

40 mm

Material

Housing material

Steel, chrome-plated

Surface housing

galvanized

Part No.

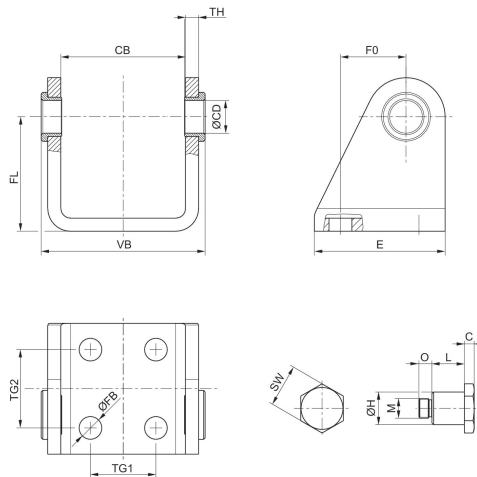
R412019989

Trunnion mounting MP2, Series CM1

R412019989

Trunnion
mountings

2023-10-26



| Piston Ø | Part No. | C | CB | Ø CD H9 | E | Ø FB | FL | F0 | Ø H e9 |
|----------|------------|---|------|---------|----|------|----|----|--------|
| 32 | R412019988 | 3 | 38.1 | 10 | 40 | 7 | 35 | 20 | 10 |
| 40 | R412019989 | 3 | 46.1 | 12 | 50 | 9 | 40 | 27 | 12 |
| 50 | R412019990 | 4 | 57.1 | 14 | 54 | 9 | 45 | 30 | 14 |
| 63 | R412019991 | 4 | 70.1 | 16 | 65 | 9 | 50 | 34 | 16 |

| Piston Ø | L | M | O | SW | TG1 | TG2 | TH | VB |
|----------|------|---------|---|----|-----|-----|----|------|
| 32 | 9.9 | M6x0,5 | 4 | 13 | 20 | 24 | 4 | 50.1 |
| 40 | 10.4 | M6x0,5 | 4 | 17 | 28 | 30 | 5 | 60.1 |
| 50 | 12.9 | M8x0,75 | 7 | 19 | 36 | 34 | 6 | 74.1 |
| 63 | 13.9 | M8x0,75 | 7 | 19 | 42 | 35 | 6 | 87.1 |