

# Clevis mounting MP2, Series CM1

3682910590

Clevis  
mounting

2024-03-26

## AVENTICS Clevis mountings



### Technical data

Industry

Industrial

Version

Corrosion-resistant version  
Suitable for robust mechanical engineering  
applications

Standardization

ISO 15552

Piston diameter

100 mm

Weight

0.88 kg

### Material

Material

Aluminum

Surface

forged and anodized

Screws material

Stainless Steel

Bearing material

Plastic

Part No.

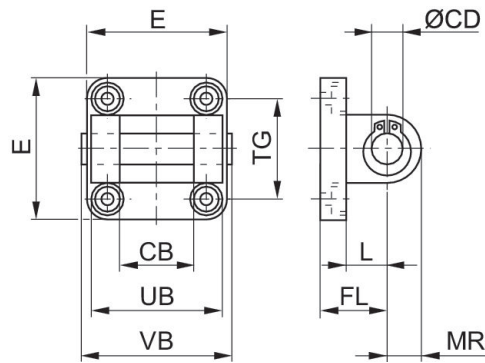
3682910590

# Clevis mounting MP2, Series CM1

3682910590

Clevis  
mounting

2024-03-26



Cylinders Ø	Part No.	CB H14	Ø CD H9	E max.	FL	L min.	MR	UB h14	VB
32	3682903590	26	10	47	22 ±0,2	12	10	45	50
40	3682904590	28	12	54	25 ±0,2	15	12	52	57
50	3682905590	32	12	65	27 ±0,2	15	12	60	65
63	3682906590	40	16	75	32 ±0,2	20	15	70	76
80	3682908590	50	16	94	36 ±0,2	20	17	90	96
100	3682910590	60	20	112	41 ±0,2	25	21	110	117
125	R412025571	70	25	138	50	30	26	130	140

Cylinders Ø	TG
32	32,5 ±0,2
40	38,0 ±0,2
50	46,5 ±0,2
63	56,5 ±0,2
80	72,0 ±0,2
100	89,0 ±0,2
125	110,0 ±0,3