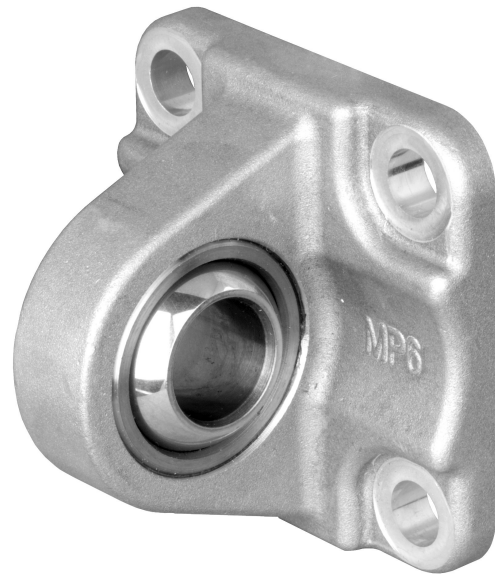


AVENTICS Rear eyes



Technical data

Industry

Industrial

Version

With ball joint and foot

Corrosion-resistant version

Standardization

ISO 15552

Piston diameter

80 mm

Weight

0.5 kg

Material

Material

Aluminum (forged and anodized)

Screws material

Stainless Steel

Bearing material

Stainless Steel

Bearing material, inner ring

Stainless Steel

Bearing material, outer ring

Stainless steel with PTFE coating

Part No.

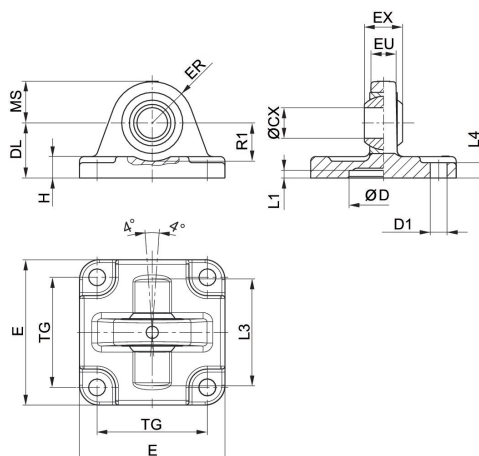
R412025638

Rear eye MP6, Series CM1

R412025638

Rear eye

2024-06-18



Scope of delivery: clevis incl. mounting screws

| Part No. | Piston Ø | ØCX H7 | ØD H11 | ØD1 H13 | DL ±0,2 | E | EX -0,1 | ER | EU |
|------------|----------|--------|--------|---------|---------|-----|---------|----|------|
| 2798060320 | 32 | 10 | 30 | 6,6 | 22 | 46 | 14 | 17 | 12,5 |
| 2798060400 | 40 | 12 | 35 | 6,6 | 25 | 52 | 16 | 20 | 12 |
| 2798060500 | 50 | 12 | 40 | 9 | 25 | 62 | 16 | 22 | 14 |
| R412025637 | 50 | 16 | 40 | 9 | 27 | 64 | 21 | 22 | 14 |
| 2798060630 | 63 | 16 | 45 | 9 | 32 | 74 | 21 | 25 | 15 |
| 2798060800 | 80 | 16 | 45 | 11 | 36 | 94 | 21 | 30 | 17 |
| R412025638 | 80 | 20 | 45 | 11 | 36 | 94 | 25 | 30 | 17 |
| 2798061000 | 100 | 20 | 55 | 11 | 41 | 114 | 25 | 32 | 20 |
| R412025572 | 125 | 30 | 60 | 13,5 | 50 | 138 | 37 | - | 25 |

| Part No. | Piston Ø | H | L1 min. | L3 | L4 | MS -0,5 | R1 min. | TG |
|------------|----------|-----|---------|------|-----|---------|---------|----------|
| 2798060320 | 32 | 6.5 | 4.5 | - | 5,5 | 15,5 | 16,5 | 32,5 |
| 2798060400 | 40 | 8 | 4.5 | - | 5,5 | 18 | 19,5 | 38 |
| 2798060500 | 50 | 9 | 5 | 46,5 | 6,5 | 24 | 18,5 | 46,5 |
| R412025637 | 50 | 9 | 4.5 | 48 | 6.5 | 21 | 19 | 46,5 |
| 2798060630 | 63 | 11 | 4,5 | - | 6,5 | 23 | 25,5 | 56,5 |
| 2798060800 | 80 | 12 | 4,5 | - | 10 | 30 | 26 | 72 |
| R412025638 | 80 | 12 | 4.5 | 70 | 10 | 28 | 24 | 72 |
| 2798061000 | 100 | 15 | 4,5 | - | 10 | 30 | 31 | 89 |
| R412025572 | 125 | - | 7 | - | 10 | 40 | 32 | 110 ±0,3 |