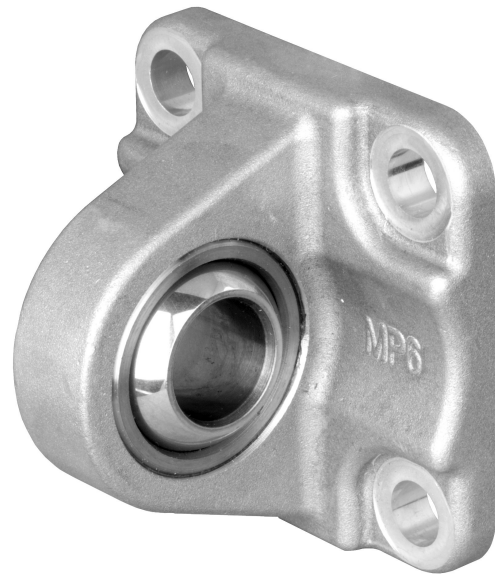


AVENTICS Rear eyes



Technical data

| | |
|------------------|--------------------------|
| Industry | Industrial |
| Version | With ball joint and foot |
| Standardization | ISO 15552 |
| Piston diameter | 250 mm |
| Swivel bearing Ø | 40 mm |
| Weight | 14.5 kg |

Material

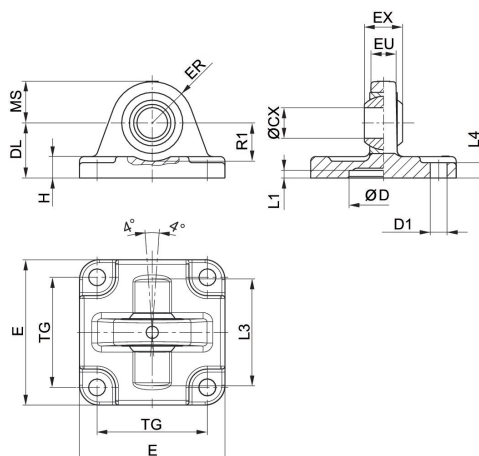
| | |
|------------------------------|-------------------------|
| Housing material | Nodular graphite iron |
| Surface housing | galvanized |
| Screws material | Galvanized Steel |
| Bearing material, inner ring | Stainless Steel |
| Bearing material, outer ring | Brass with PTFE coating |
| Part No. | 1827001628 |

Rear eye MP6, Series CM1

1827001628

Rear eye

2023-10-25



Scope of delivery: clevis incl. mounting screws

| Piston Ø | Part No. | ØCX H7 | ØD H11 | ØD1 H13 | DL ±0,2 | E | EX -0,1 | ER | EU |
|----------|------------|--------|--------|---------|---------|-----|---------|----|----|
| 160 | 1827001626 | 35 | 65 | 18 | 55 | 176 | 43 | 44 | 30 |
| 200 | 1827001627 | 35 | 75 | 18 | 60 | 216 | 43 | 47 | 30 |
| 250 | 1827001628 | 40 | 90 | 22 | 70 | 275 | 49 | 53 | 35 |
| 320 | 5239013452 | 50 | 110 | 26 | 80 | 340 | 60 | 63 | 45 |

| Piston Ø | H | L1 min. | L3 | L4 | MS -0,5 | R1 min. | TG |
|----------|------|---------|-----|----|---------|---------|----------|
| 160 | 17 | 7 | 130 | 10 | 44 | 39 | 140 ±0,3 |
| 200 | 19.5 | 7 | 130 | 11 | 47 | 41 | 175 ±0,3 |
| 250 | 22 | 11 | - | 11 | 53 | 45 | 220 ±0,3 |
| 320 | 27 | 11 | 180 | 15 | 63 | 55 | 270 ±0,3 |