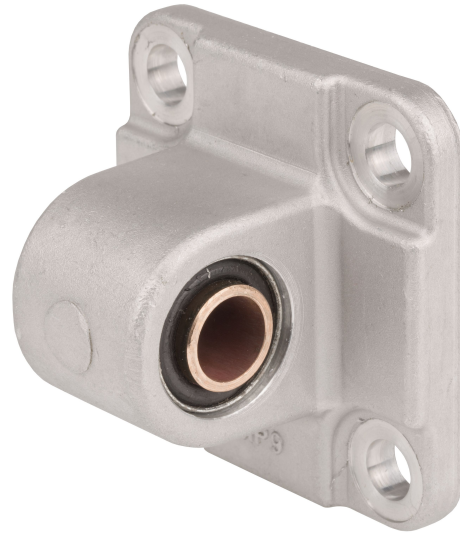


## AVENTICS Rear eyes



### Technical data

|                  |                     |
|------------------|---------------------|
| Industry         | Industrial          |
| Version          | With rubber bushing |
| Standardization  | ISO 15552           |
| Piston diameter  | 40 mm               |
| Swivel bearing Ø | 12 mm               |
| Weight           | 0.143 kg            |

### Material

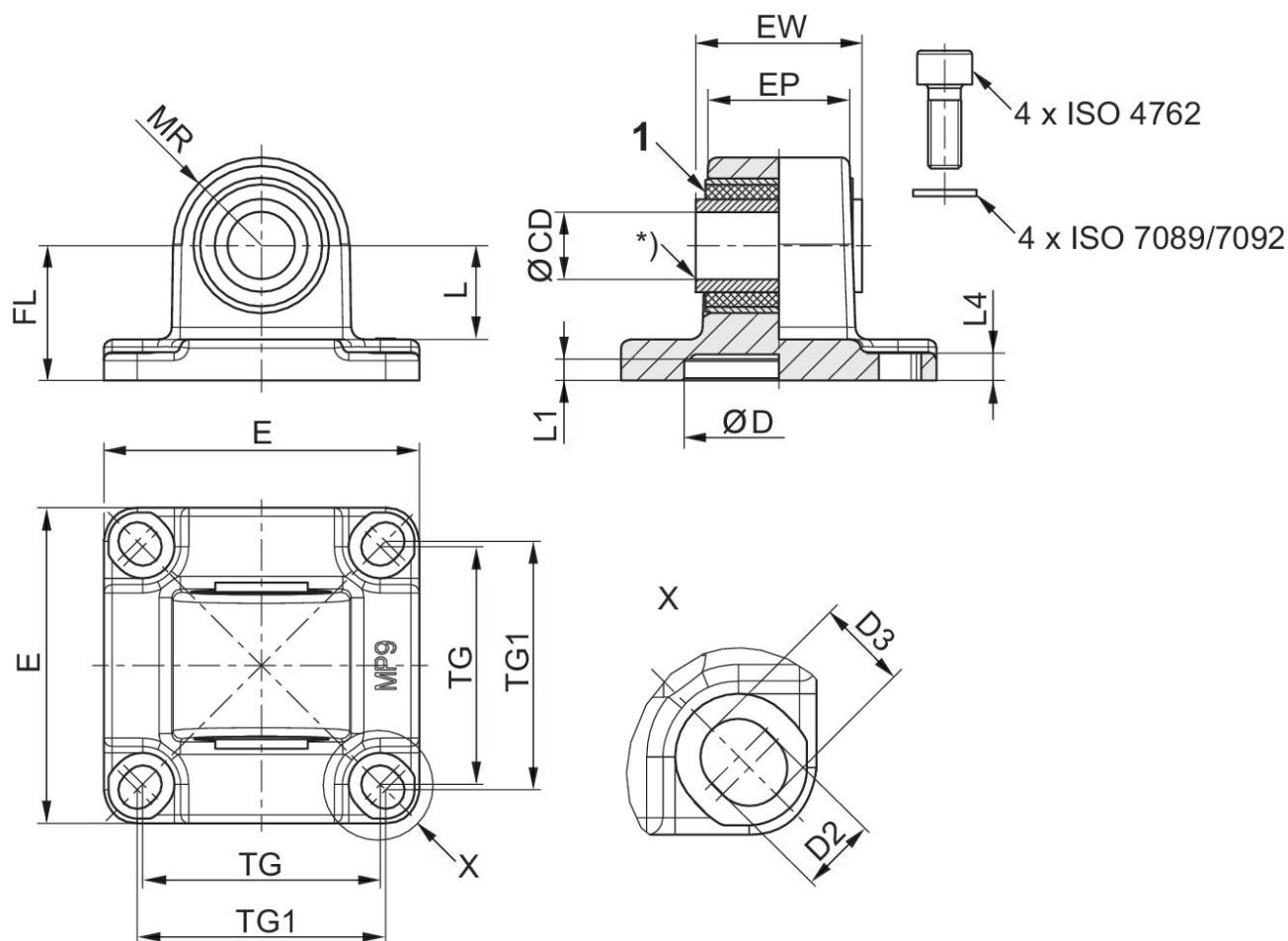
|                  |            |
|------------------|------------|
| Housing material | Aluminum   |
| Surface housing  | forged     |
| Bearing material | Bronze     |
| Fig.             | Fig. 1     |
| Part No.         | 3683204000 |

# Rear eye MP9, Series CM1

3683204000

Rear eye

2023-10-25



1) Rubber bushing

| Piston Ø | Part No.   | CD H11 | CD H9 | E   | EW   | EP   | TG   | TG1 ±0,2 | FL ±0,2 |
|----------|------------|--------|-------|-----|------|------|------|----------|---------|
| 25       | 3683202000 | 10     | -     | 40  | 17.5 | 14,5 | 26   | 27       | 20      |
| 40       | 3683204000 | -      | 12    | 53  | 27   | 23,5 | 38   | 40       | 25      |
| 63       | 3683206000 | -      | 16    | 75  | 39.5 | 33.5 | 56.5 | 59       | 32      |
| 100      | 3683210000 | -      | 20    | 114 | 59.5 | 54   | 89   | 90       | 41      |

| Piston Ø | L 1) | MR   | L1 | L4  | D H11 | D2 -0,2 | D3 -0,2 |
|----------|------|------|----|-----|-------|---------|---------|
| 25       | 14.8 | 12,5 | 3  | 3   | 18    | 5,5     | 6,2     |
| 40       | 16.3 | 15   | 5  | 5.5 | 35    | 6.6     | 8       |
| 63       | 22.3 | 21   | 5  | 6.5 | 45    | -       | -       |
| 100      | 25.8 | 25   | 5  | 10  | 55    | 11      | 11.7    |