

Round nut with set pin hole inside MR3, series CM1

8915309004

Nuts for
cylinder
mounting

2023-11-28

AVENTICS Nuts for cylinder mounting



Technical data

Industry	Industrial
Version	for cylinder mounting
For series	RPC
Piston diameter	50 mm 63 mm
Thread size	M45x1,5
Weight	0.06 kg

Material

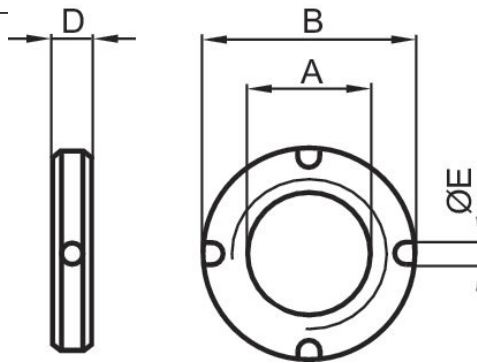
Material	Steel, chrome-plated
Surface	galvanized
Part No.	8915309004

Round nut with set pin hole inside MR3, series CM1

8915309004

Nuts for
cylinder
mounting

2023-11-28



Piston Ø	Part No.	A	Ø B	D	E
32	8915308704	M30x1,5	38	8	4
40	8915307604	M38x1,5	50	10	5
50, 63	8915309004	M45x1,5	55	10	5