

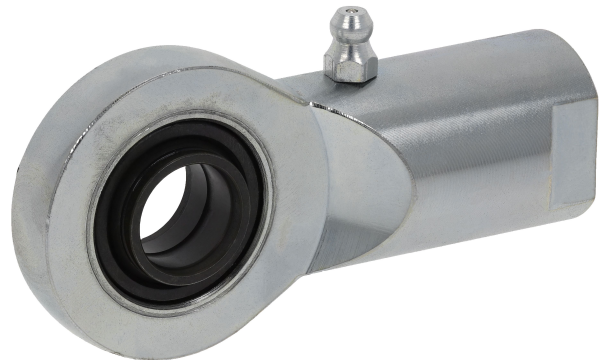
Ball eye rod end AP6, series CM2

3660905000

Ball eye rod
ends

2024-04-29

AVENTICS Ball eye rod ends



Technical data

Industry

Industrial

To mount on series

PRA

TRB

CVI

167

CCI

KPZ

SSI

RPC

RDC

102

Type

narrow version

Lube nipple

Thread size

M16x1,5

Swivel bearing Ø

16 mm

Weight

0.28 kg

Material

Housing material

Steel, chrome-plated

Surface housing

galvanized

Part No.

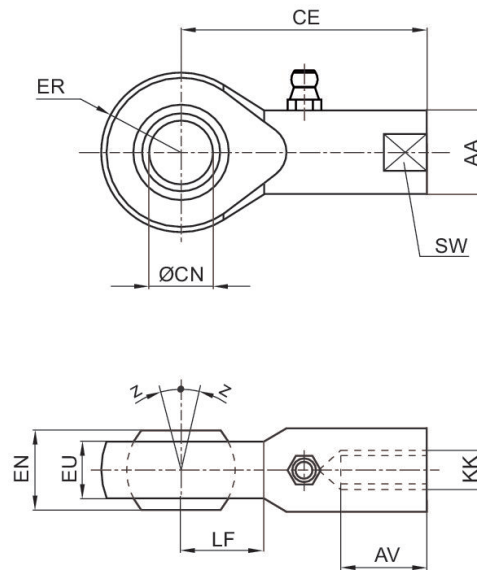
3660905000

Ball eye rod end AP6, series CM2

3660905000

Ball eye rod ends

2024-04-29



KK	Part No.	AA	AV min.	CE	Ø CN H7	EN -0,1	ER	EU max.	LF
M16x1.5	3660905000	29	24	67	16	16	23	11	20
M20x1.5	3660908000	34	30	77	20	20	26,5	13	23
M24x2	3660912000	42	36	94	25	25	32	17	27
M36x2	3660916000	58	56	125	35	35	42	21	37

KK	SW	Z [°] max.
M16x1.5	24	8
M20x1.5	30	8
M24x2	36	8
M36x2	50	6