

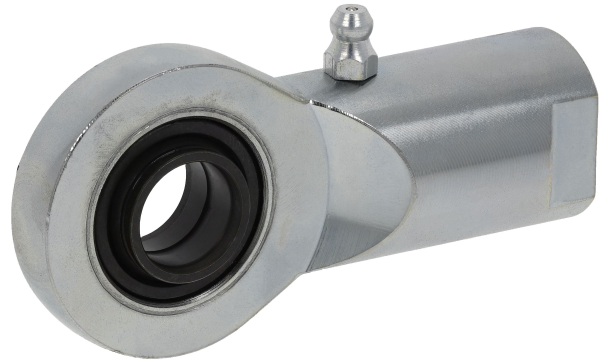
# Ball eye rod end AP6, series CM2

3660912000

Ball eye rod  
ends

2024-04-29

## AVENTICS Ball eye rod ends



### Technical data

Industry	Industrial
To mount on series	102
Type	narrow version Lube nipple
Thread size	M24x2
Swivel bearing Ø	25 mm
Weight	0.79 kg

### Material

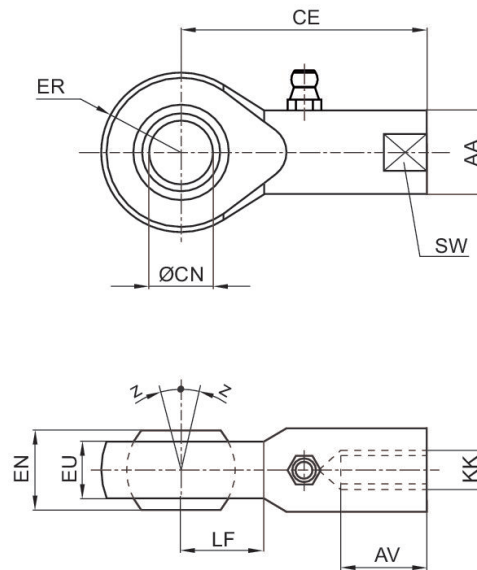
Housing material	Steel, chrome-plated
Surface housing	galvanized
Part No.	3660912000

# Ball eye rod end AP6, series CM2

3660912000

Ball eye rod ends

2024-04-29



KK	Part No.	AA	AV min.	CE	Ø CN H7	EN -0,1	ER	EU max.	LF
M16x1.5	3660905000	29	24	67	16	16	23	11	20
M20x1.5	3660908000	34	30	77	20	20	26,5	13	23
M24x2	3660912000	42	36	94	25	25	32	17	27
M36x2	3660916000	58	56	125	35	35	42	21	37

KK	SW	Z [°] max.
M16x1.5	24	8
M20x1.5	30	8
M24x2	36	8
M36x2	50	6