

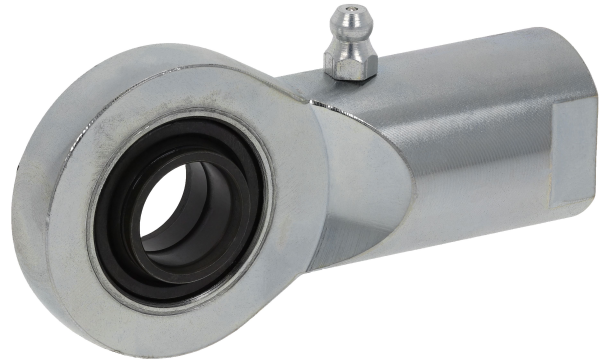
# Ball eye rod end AP6, series CM2

3660916000

Ball eye rod  
ends

2024-04-29

## AVENTICS Ball eye rod ends



### Technical data

Industry

Industrial

To mount on series

ITS

Type

narrow version

Lube nipple

Thread size

M36x2

Swivel bearing Ø

35 mm

Weight

1.76 kg

### Material

Housing material

Steel, chrome-plated

Surface housing

galvanized

Part No.

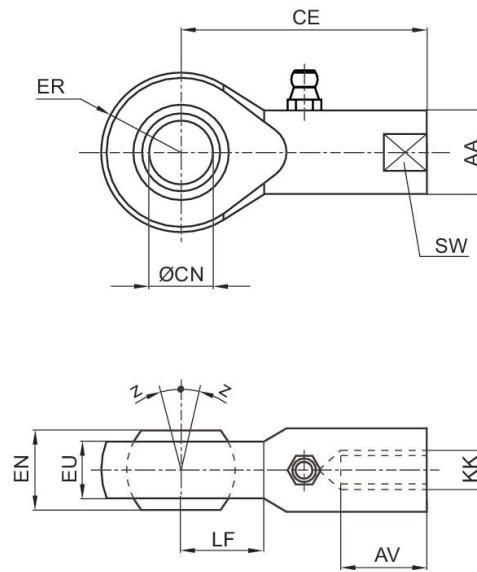
3660916000

# Ball eye rod end AP6, series CM2

3660916000

Ball eye rod ends

2024-04-29



| KK      | Part No.   | AA | AV min. | CE  | Ø CN H7 | EN -0,1 | ER   | EU max. | LF |
|---------|------------|----|---------|-----|---------|---------|------|---------|----|
| M16x1.5 | 3660905000 | 29 | 24      | 67  | 16      | 16      | 23   | 11      | 20 |
| M20x1.5 | 3660908000 | 34 | 30      | 77  | 20      | 20      | 26,5 | 13      | 23 |
| M24x2   | 3660912000 | 42 | 36      | 94  | 25      | 25      | 32   | 17      | 27 |
| M36x2   | 3660916000 | 58 | 56      | 125 | 35      | 35      | 42   | 21      | 37 |

| KK      | SW | Z [°] max. |
|---------|----|------------|
| M16x1.5 | 24 | 8          |
| M20x1.5 | 30 | 8          |
| M24x2   | 36 | 8          |
| M36x2   | 50 | 6          |