

Optional fieldbus connection with I/O function (CMS), B-design

R412012755

CMS

2023-12-06

Series CMS

The AVENTICS Series CMS is used to connect valve and fieldbus systems additionally providing centralized I/O-modules. The AVENTICS Series CMS can be connected to AVENTICS valve systems of HF-LG family.



Technical data

Industry	Industrial
Version	Bus coupler with driver and inputs
Fieldbus protocol	EtherNet/IP
E/A capable	connection without I/O
Number of I/O connections	32 outputs
Fieldbus design	B-design
Min. ambient temperature	0 °C
Max. ambient temperature	50 °C
Max. number of solenoid coils	32
Operational voltage electronics	24 V DC
Electronics voltage tolerance	-15% / +20%
Current consumption electronics	0.12 A
Operating voltage, actuators	24 V DC
Protection class	IP65
Max. current consumption per coil	0.063 mA
Max. I/O module extension	6
Generic emission standard in accordance with norm	EN 61000-6-4
Port valve system	Socket
Port valve system	2.0 mm strip

Optional fieldbus connection with I/O function (CMS), B-design

CMS

2023-12-06

R412012755

Port valve system	3x13-pin
Communication port 2, Type	Socket (female)
Communication port 2, Thread size	M12
Communication port 2, Number of poles	5-pin
Communication port , Coding	D-coded
Electrical connection type	Plug (male)
Electrical connection size	M12
Electrical connection number of poles	4-pin
Electrical connection coding	A-coded
Weight	1 kg

Material

Housing material	Die-cast aluminum
Part No.	R412012755

Technical information

Caution: A reduced temperature range in accordance with the operating instructions may need to be considered in ATEX applications.

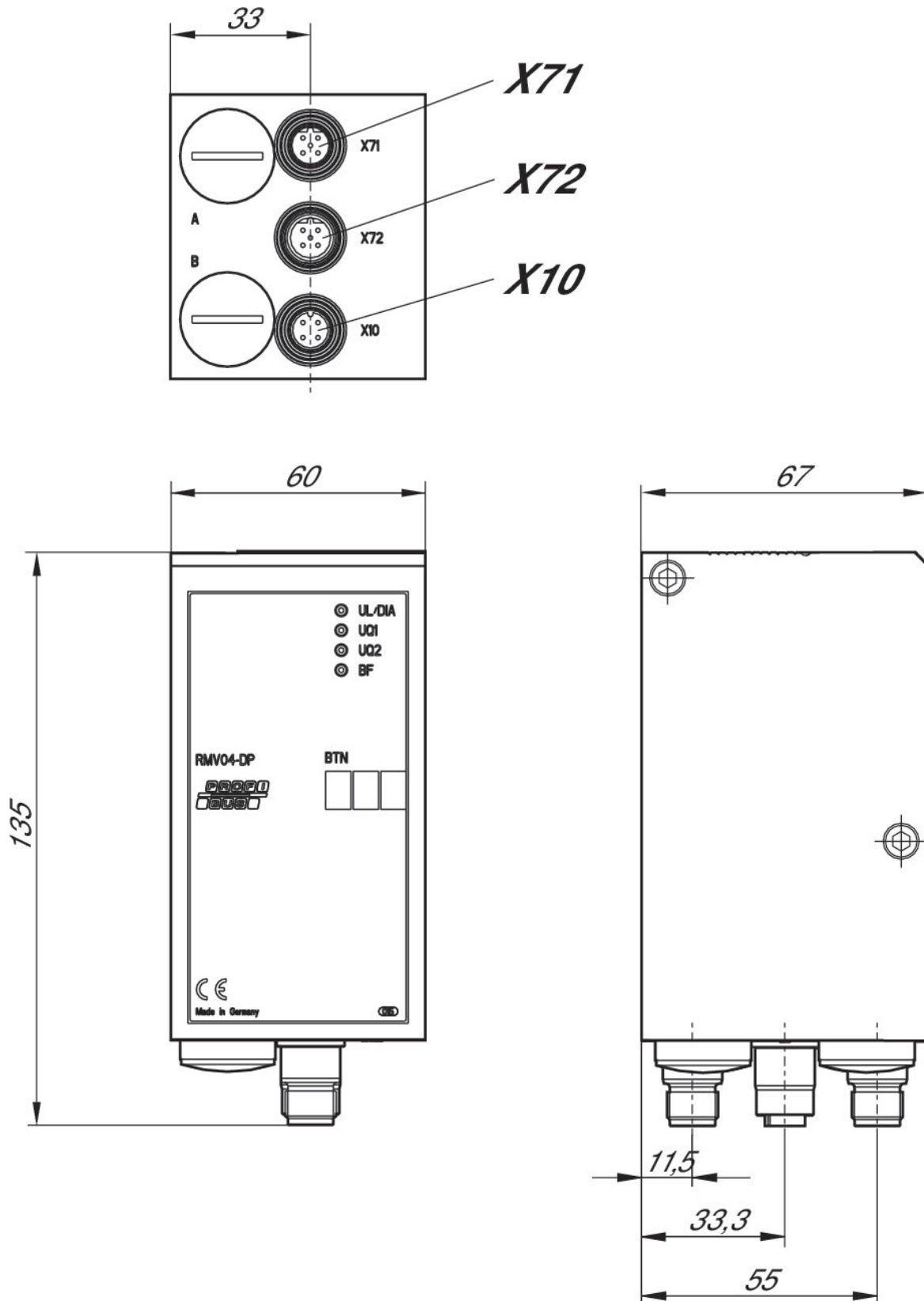
You will find assignment schemes for the product in the operating instructions, or contact the nearest AVENTICS sales office.

Optional fieldbus connection with I/O function (CMS), B-design

CMS

2023-12-06

R412012755
Dimensions



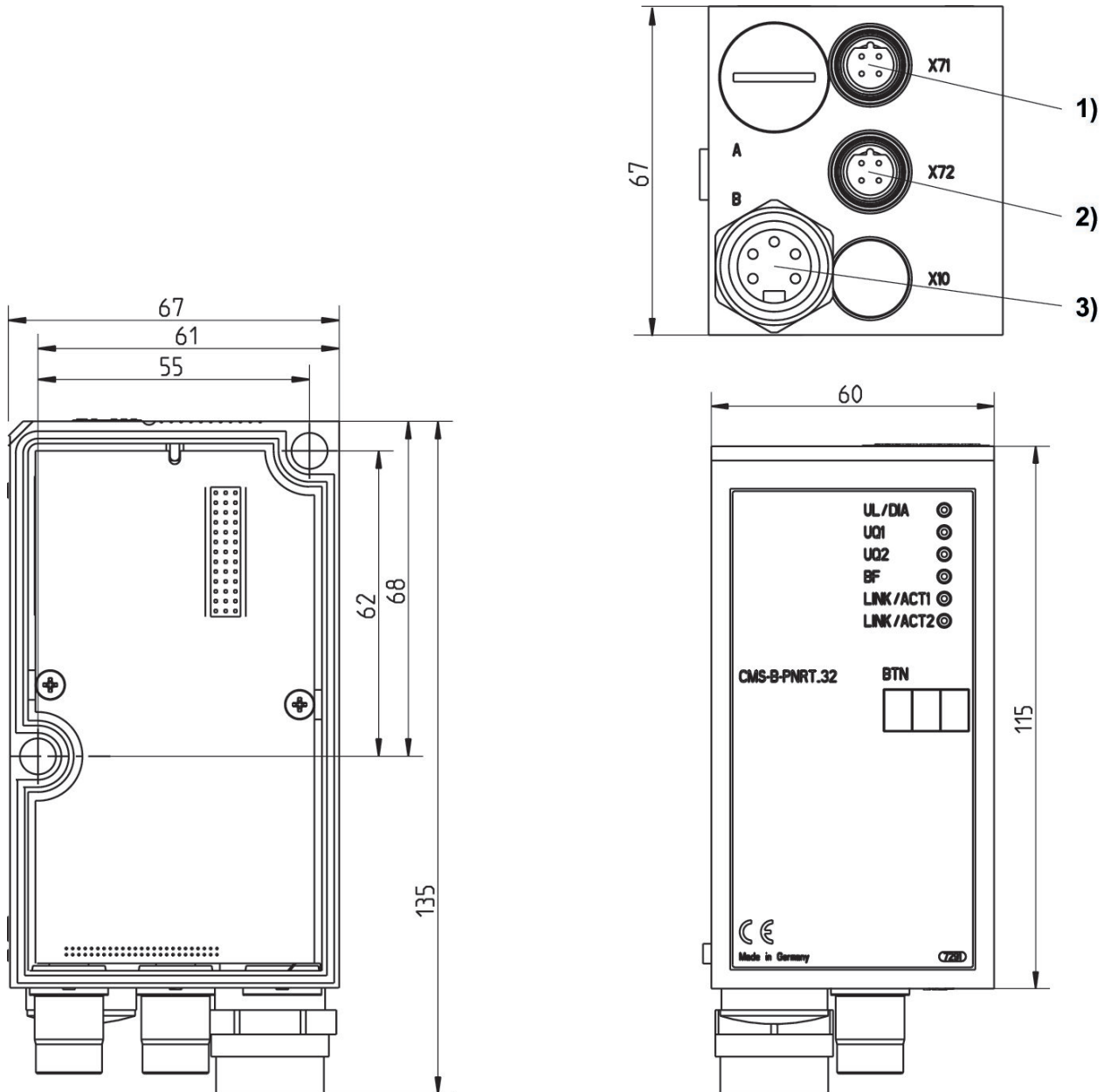
X71, (Bus IN), M12x1 X72, (Bus OUT), M12x1 X10, (Power), M12x1

Optional fieldbus connection with I/O function (CMS), B-design

CMS

2023-12-06

R412012755
Fig. 3



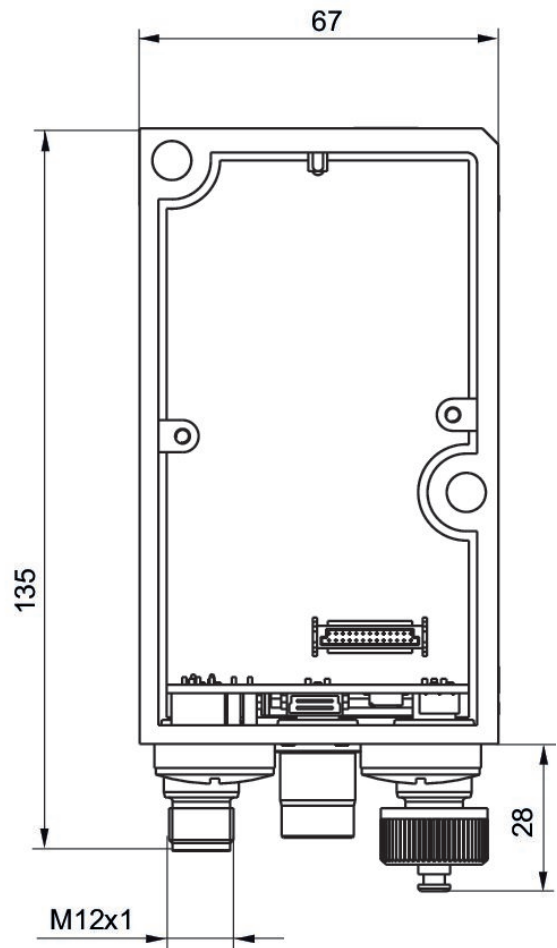
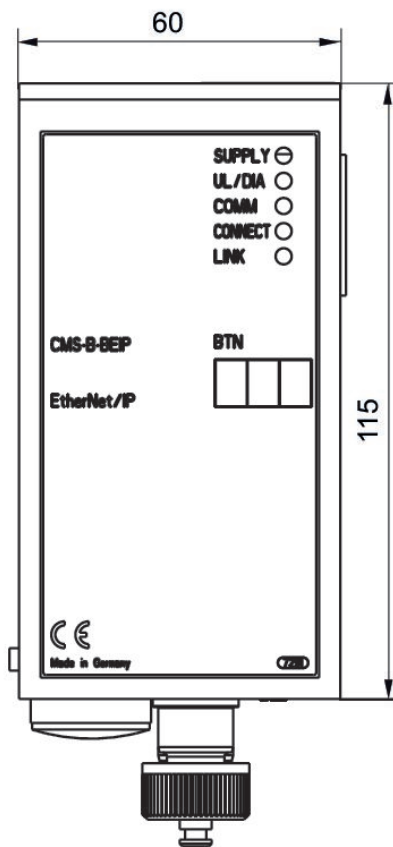
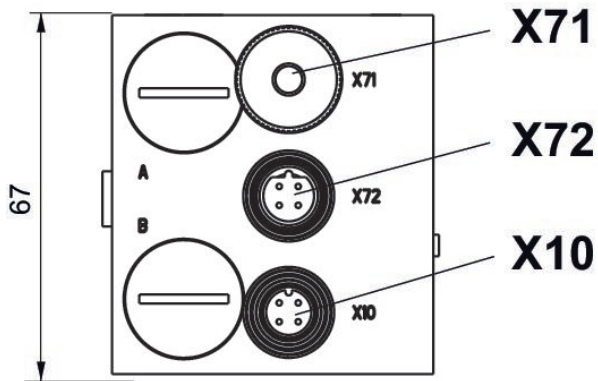
1) Bus IN 2) Bus OUT 3) Power supply

Optional fieldbus connection with I/O function (CMS), B-design

CMS

2023-12-06

R412012755
Fig. 2



X71 = optional interface X72 = Bus X10 = Power