

Coil, Series CO1, with cable, ATEX

1827414303

Series CO1

2024-10-08

- Coil widths 15, 22 and 30 mm
- Electr. control: M8, form A, form B, form BI, form C
- ATEX
- Operational voltages 12, 24, 48, 110, 220 VDC or 24,110,230 VAC

AVENTICS Series CO1 Coils

The AVENTICS Series CO1 is a complete range of electrical solenoid coils with or without cable used in AVENTICS pneumatic valves Series.



Technical data

Industry

Industrial

Type

Cable with valve plug connector

Coil width

30 mm

ATEX ID

ATEX

II 2G Ex mb IIC T4 Gb

II 2D Ex mb tb IIIC T130°C Db IP65

Min. ambient temperature

-20 °C

Max. ambient temperature

50 °C

Protection class according to EN 60529

IP65

Cable length

3 m

Duty cycle ED

100 %

Compatibility index

14

Operational voltage DC

24 V

Voltage tolerance DC

-10 % / +10 %

Power consumption DC

3.25 W

Weight

0.38 kg

Material

Part No.

1827414303

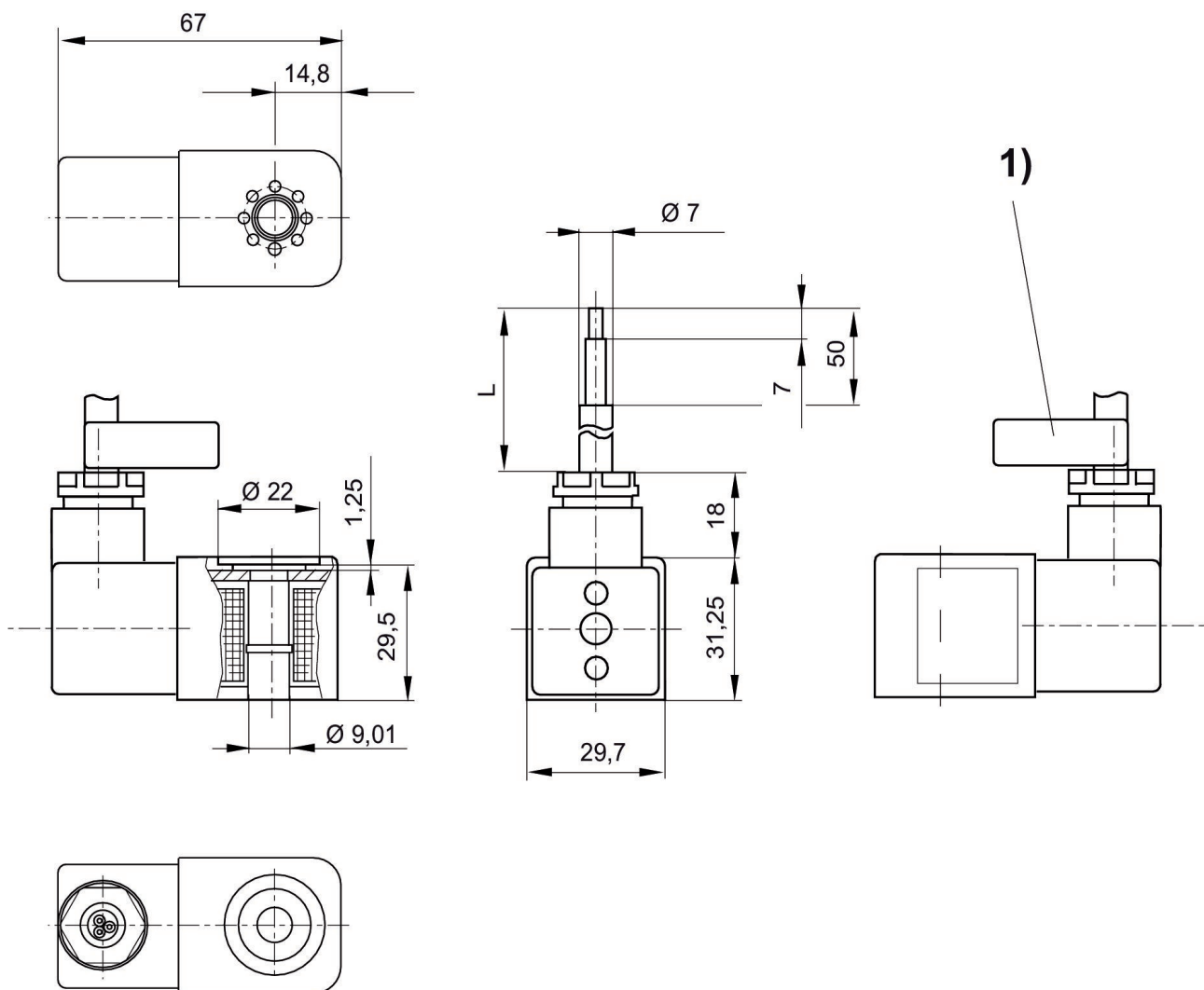
Coil, Series CO1, with cable, ATEX

1827414303

Series CO1

2024-10-08

Dimensions



L = cable length

1) Cable ID band with serial number