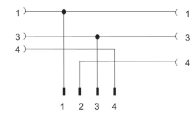
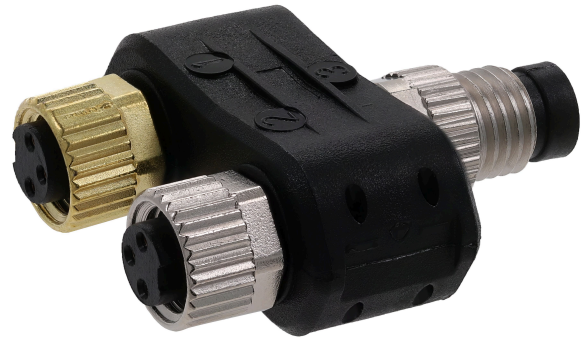


## AVENTICS Series CON-RD Round plug connectors

The AVENTICS Series CON-RD offers round plug connectors for self assembly, as well as terminating plug for fieldbus , adaptors and y-connectors as well as IP protection caps.



### Technical data

Industry	Industrial
Shielding	unshielded
Min. ambient temperature	-25 °C
Max. ambient temperature	85 °C
Max. current	4 A
Protection class	IP67
Operational voltage	24 V AC/DC
Electrical connection 1, type	Socket
Electrical connection 1, thread size	M8x1
Electrical connection 1, number of poles	3-pin
Electrical connection 2, type	Socket
Electrical connection 2, thread size	M8x1
Electrical connection 2, number of poles	3-pin
Electrical connection 3, type	Plug
Electrical connection 3, thread size	M8x1
Electrical connection 3, number of poles	4-pin
Weight	0.015 kg

# Y-Plug connector, series CON-RD

2023-10-12

R412028723

## Material

Housing material

Polyurethane

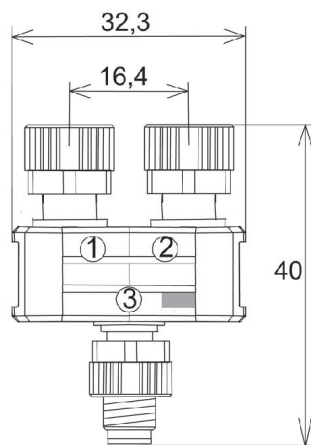
Part No.

R412028723

## Technical information

The specified protection class is only valid in assembled and tested state.

## Dimensions



## Pin assignments

