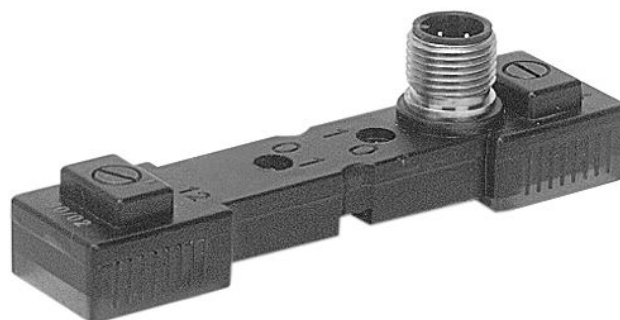


Contact bridges, series CON-CB

5763573103

Contact bridges, series CON-CB

- Contact bridges to adapt electrically operated valves with form C plug connector
- Especially suited for series CD01-PA, 579/589
- Single connection via M12x1
- Snap Ø8



Technical data

Industry
Industrial

Number of solenoid coils
2

Min. ambient temperature
-15 °C

Max. ambient temperature
50 °C

Protection class
IP65

Electrical connection 1
Plug

Number of poles
4-pin

Cable exit
straight

Cable exit angle
180°

Electrical connection 2
Socket

Electrical connection 2
form C

Number of poles
2-pin

Cable exit
straight

Electrical connection 3
Socket

Electrical connection 3
form C

Number of poles
2-pin

Cable exit
straight

Operational voltage
24 V

Operational voltage
AC/DC

DC operating voltage
24 V

Operational voltage AC at 50 Hz
24 V

Operational voltage AC at 60 Hz
24 V

Voltage tolerance DC
-20% / +20%

Voltage tolerance AC 50 Hz
-10% / +10%

Voltage tolerance AC 60 Hz
-10% / +10%

Valve LED status display
Yellow

Mounting screw
M2.5 with slot

Tightening torque for mounting screws [+0,05]
0.25 Nm

Weight
0.026 kg

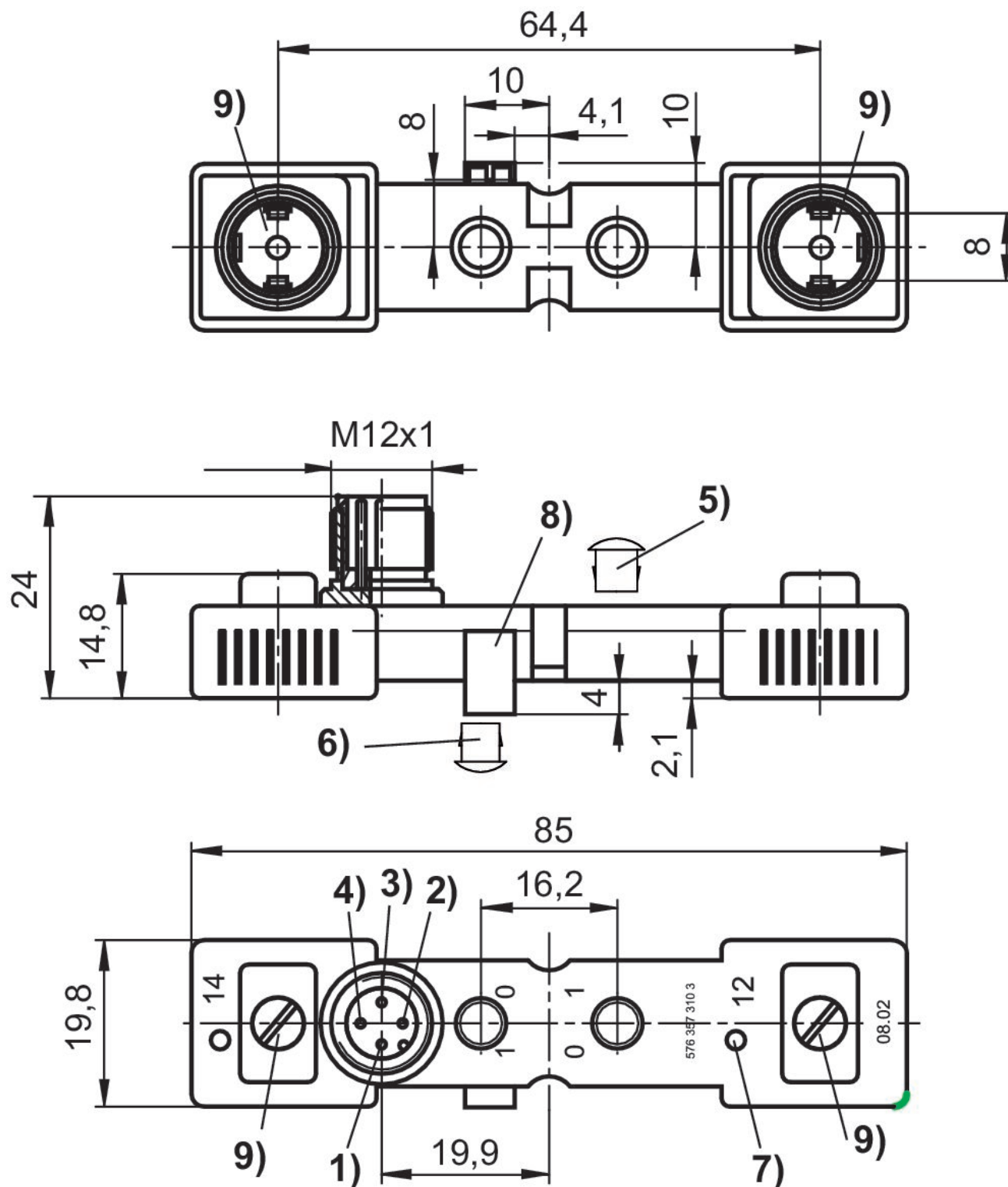
Housing
Polyester amide

Seals
Fluorocaoutchouc

Part No.
5763573103

Technical information

Dimensions



- 1) not assigned 2) solenoid 12 3) 0 V 4) solenoid 14
 5) Sealing cap for manual override not removable
 6) Removable
 7) LED valve
 8) positioning pin 9) captive seal and screw