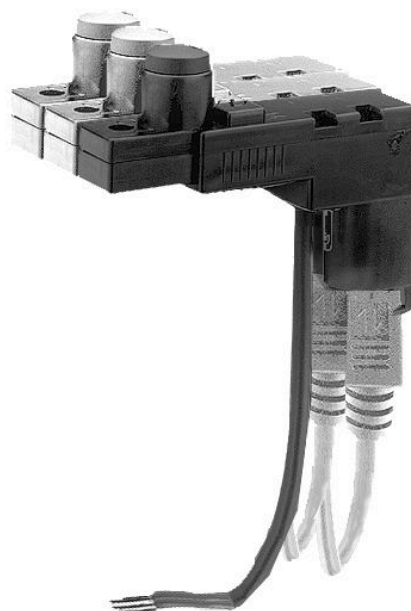


Contact bridges, series CON-CB

5763533113

Contact bridges with cable, series CON-CB

- Contact bridges to adapt electrically operated valves with form C plug connector
- Especially suited for series CD01-PA, 579/589
- Multipole connection



Technical data

Industry
Industrial

Number of solenoid coils
1

Min. ambient temperature
-15 °C

Max. ambient temperature
50 °C

Wire cross-section
0.128 mm²

Cable-Ø
4.8 mm

Cable length
5 m

n-Wire
9

Protection class
IP65

Protective circuit
43 V bi-directional

Electrical connection 1
open cable ends

Number of poles
9-pin

Electrical connection 2
Socket

Electrical connection 2
form C

Number of poles
2-pin

Electrical connection 2
with cable

Cable exit
straight

Electrical connection 3
Socket

Electrical connection 3
mini-DIN

Number of poles
8-pin

Cable exit
straight

Operational voltage
24 V

Operational voltage
DC

DC operating voltage
24 V

Voltage tolerance DC
-20% / +20%

Valve LED status display
Yellow

Mounting screw
M2.5 with slot

Tightening torque for mounting screws [+0,05]
0.25 Nm

Weight

0.2 kg

Housing

Polyester amide

Seals

Fluorocautchouc

Cable

Polyurethane

Part No.

5763533113

Technical information

Contact bridge 5763533113 actuates a valve system (Fig. 1). Variant 5763533103 connects the 8 solenoid coils (Fig. 2).

Fig. 1

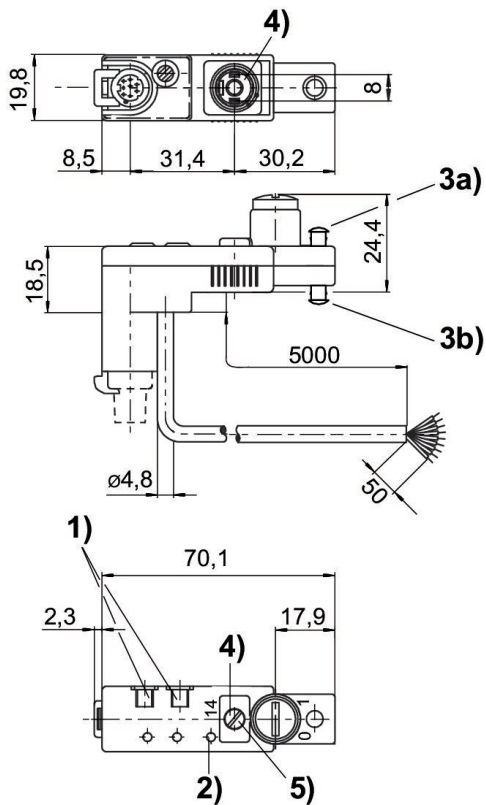
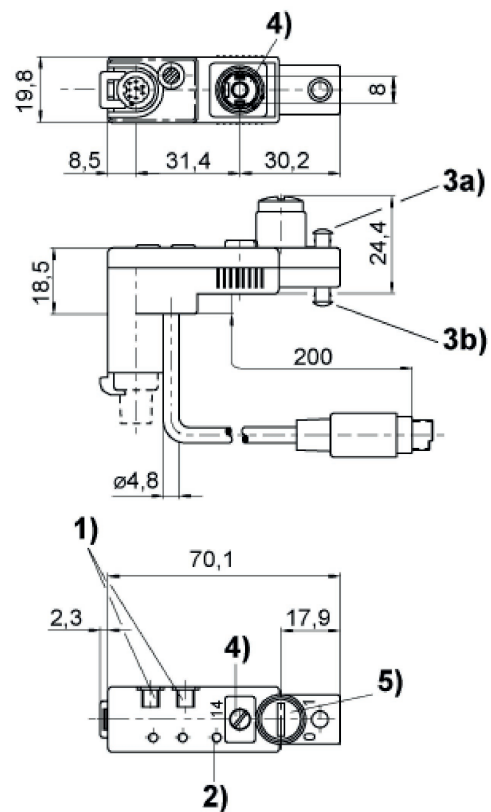


Fig. 2



- 1) mounting space for name plate
2) Valve LED 3a) sealing cap for manual override, not removable 3b) sealing cap for manual override, removable
4) captive seal and screw
5) Tightening torque for mounting screws: 0,25 Nm + 0,05
Wire allocation: Black = magnet 1 Brown = magnet 2 Orange = magnet 3 Yellow = magnet 4 Green = magnet 5 Purple = magnet 6 White = magnet 7 Pink = magnet 8 Blue = 0 V

- 1) mounting space for name plate
2) Valve LED 3a) sealing cap for manual override, not removable 3b) sealing cap for manual override, removable
4) captive seal and screw
5) Tightening torque for mounting screws: 0,25 Nm + 0,05
6) additional possibility of grounding

Assignment scheme

Color	Allocation
black	solenoid 1
brown	solenoid 2
Orange	solenoid 3
yellow	solenoid 4
green	solenoid 5
violet	solenoid 6
white	solenoid 7
pink	solenoid 8