

Contact bridges, series CON-CB

5763503183

Contact bridges, series CON-CB

- Contact bridges to adapt electrically operated valves with form C plug connector
- Especially suited for series CD01-PA, 579/589
- Single connection via M12x1
- Snap Ø8



Technical data

Industry
Industrial

Version
Snap Ø8

Number of solenoid coils
1

Min. ambient temperature
-25 °C

Max. ambient temperature
75 °C

Wire cross-section
0.14 mm²

Protection class
IP65

Electrical connection 1
Plug

Number of poles
3-pin

Cable exit
straight

Cable exit angle
180°

Electrical connection 2
Socket

Electrical connection 2
form C

Number of poles
2-pin

Cable exit
straight

Operational voltage
24 V

Operational voltage
DC

DC operating voltage
24 V

Voltage tolerance DC
-20% / +20%

Valve LED status display
Yellow

Mounting screw
M2.5 with slot

Tightening torque for mounting screws [+0,05]
0.25 Nm

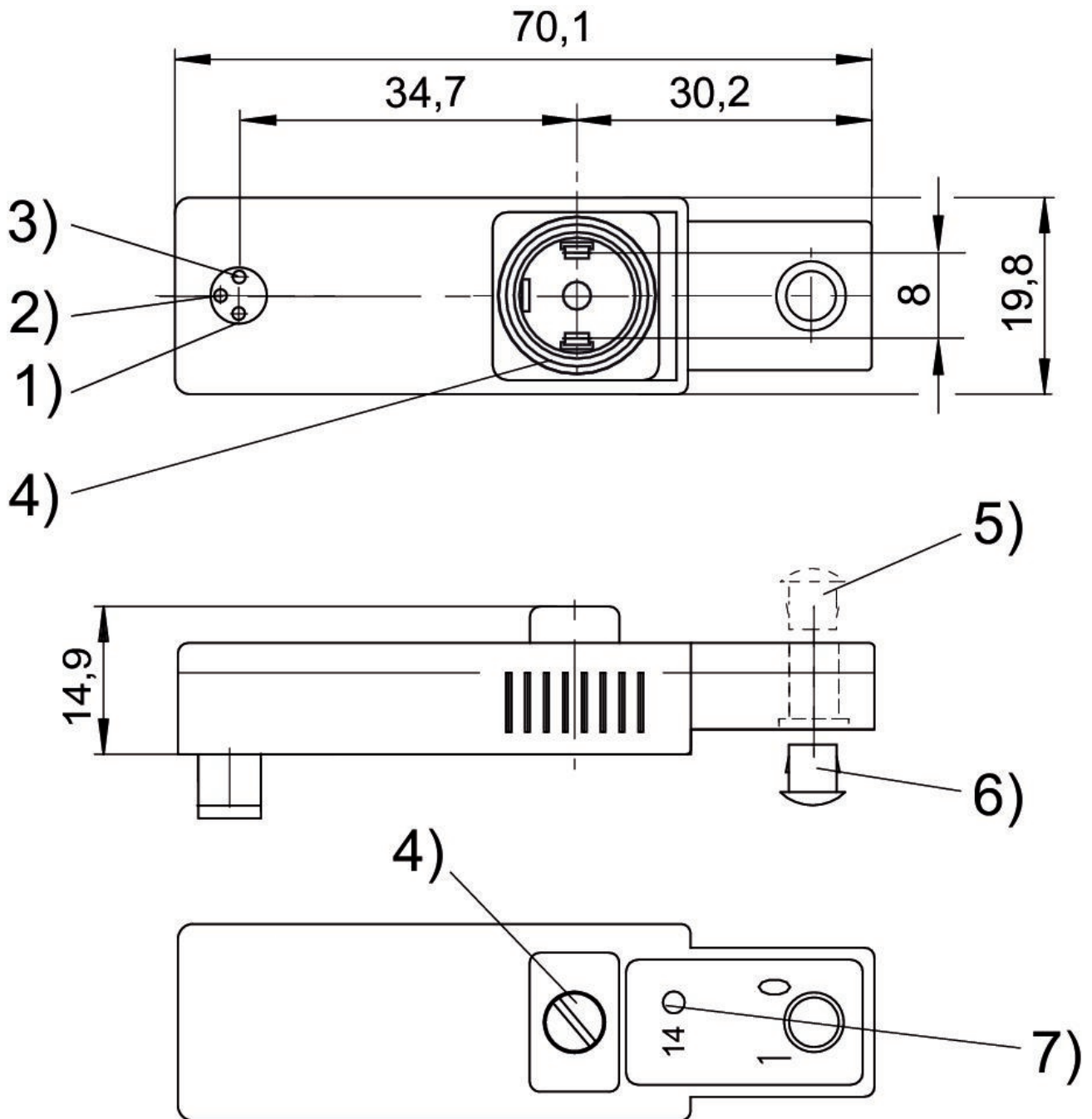
Weight
0.012 kg
Housing
Polyester amide

Seals
Fluorocaoutchouc
Part No.
5763503183

Technical information

The specified protection class is only valid in assembled and tested state.

Dimensions



1) solenoid 14##2) not assigned##3) 0 V## 4) captive seal and screw##5) sealing cap for manual override not removable##6) removable##7) LED valve