

## AVENTICS Series CON-MP Multipole plugs with cable

The AVENTICS Series CON-MP-with cable offers cables with a multipole plug like D-SUB with various numbers of pins and different length, optimized for our focused valve system Series like AV Also C/2 connectors for Valve systems of Series CL03 are available.



### Technical data

Industry	Industrial
Type	Multipole
Cable	with cable
Operational voltage	24 V DC
Max. operating voltage AC	24 V DC
Electrical connection 1, type	Socket
Electrical connection 1, thread size	C/2
Electrical connection 1, number of poles	48-pin
Cable exit 1	angled
Cable exit angle	45°
Electrical connection 2, type	open cable ends
Electrical connection 2, number of poles	48-pin
Number of wires	40
Shielding	unshielded
Cable length	10 m
Protection class	IP69K
Min. ambient temperature	0 °C
Max. ambient temperature	50 °C
Max. current	3 A

# Multipole plug, series CON-MP

2024-04-02

0493871300

Wire cross-section	0.34 mm <sup>2</sup>
Cable-Ø	13.5 mm
Weight	2.948 kg

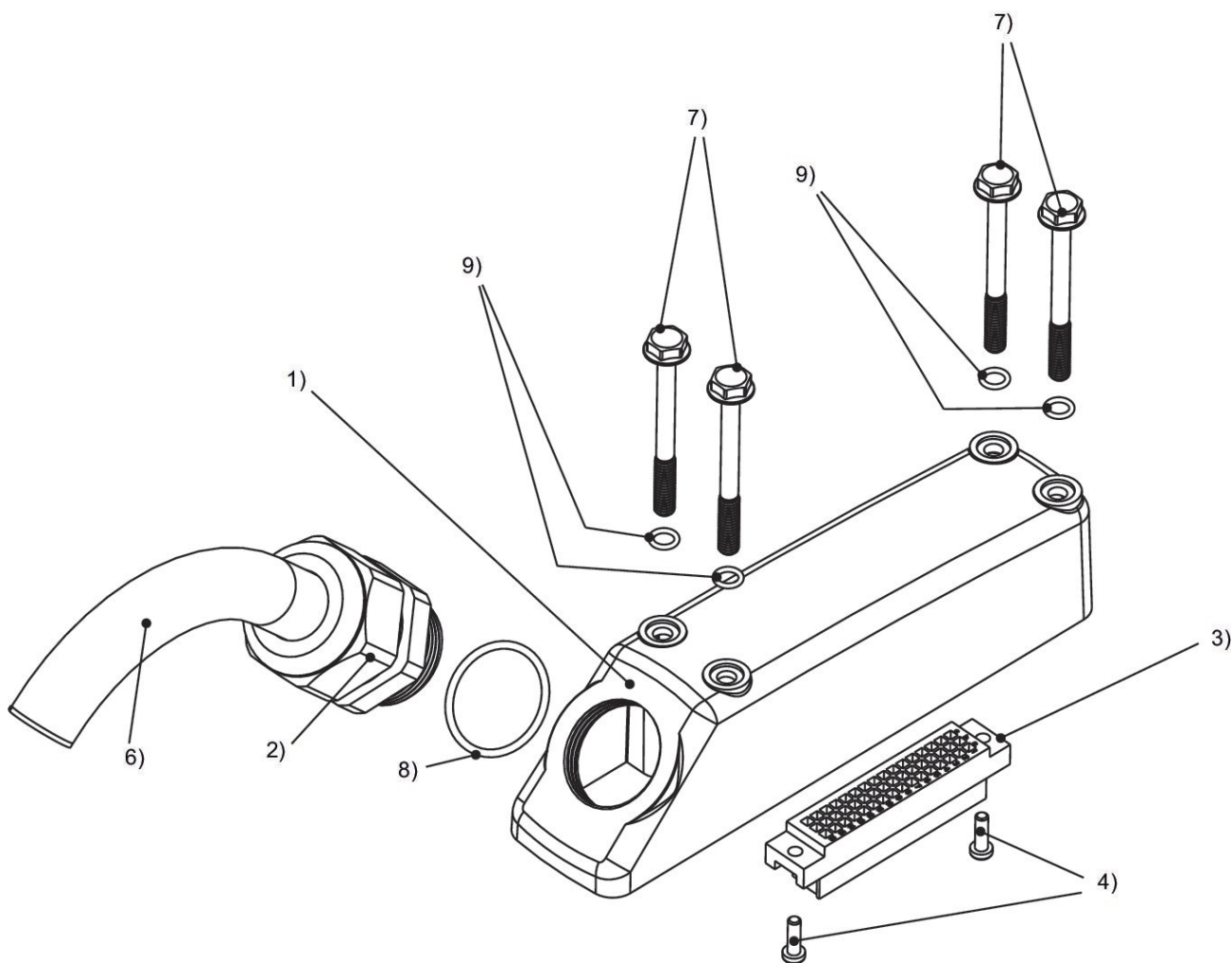
## Material

Housing material	Polyamide
Material cable sheath	Polyvinyl chloride
Part No.	0493871300

## Technical information

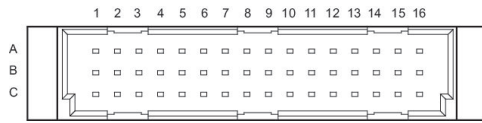
The specified protection class is only valid in assembled and tested state.  
max. 16 valves

## Dimensions



1) housing 2) cable gland 3) connector housing size C/2 4) screw 5) seal 6) cable 7) screw 8) seal 9) seal

## PIN assignment and cable colors



## PIN assignment and cable colors, 48-pin

Pin Color	A	B	C
1	not assigned	white	brown
2	red/blue	green	yellow
3	white/blue	gray	pink
4	brown/blue	red	black
5	green/blue	violet	gray/pink
6	yellow/blue	white/green	brown/green
7	gray/blue	white/yellow	yellow/brown
8	pink/blue	white/gray	gray/brown
9	blue	white/pink	pink/brown
10	not assigned	white/red	brown/red
11	not assigned	white/black	brown/black
12	not assigned	gray/green	yellow/gray
13	not assigned	pink/green	yellow/pink
14	not assigned	green/red	yellow/red
15	not assigned	green/black	yellow/black
16	not assigned	gray/red	pink/red