

AVENTICS Series CON-MP Multipole plugs with cable

The AVENTICS Series CON-MP-with cable offers cables with a multipole plug like D-SUB with various numbers of pins and different length, optimized for our focused valve system Series like AV Also C/2 connectors for Valve systems of Series CL03 are available.



Technical data

Industry	Industrial
Type	Multipole
Cable	with cable
Operational voltage	24 V DC
Max. operating voltage AC	24 V DC
Electrical connection 1, type	Socket
Electrical connection 1, thread size	C/2
Electrical connection 1, number of poles	48-pin
Cable exit 1	angled
Cable exit angle	45°
Electrical connection 2, type	open cable ends
Electrical connection 2, number of poles	24-pin
Number of wires	25
Shielding	unshielded
Cable length	5 m
Protection class	IP69K
Min. ambient temperature	0 °C
Max. ambient temperature	50 °C
Max. current	3 A

Multipole plug, series CON-MP

2024-04-02

0493871009

Wire cross-section	0.34 mm ²
Cable-Ø	9.2 mm
Weight	1 kg

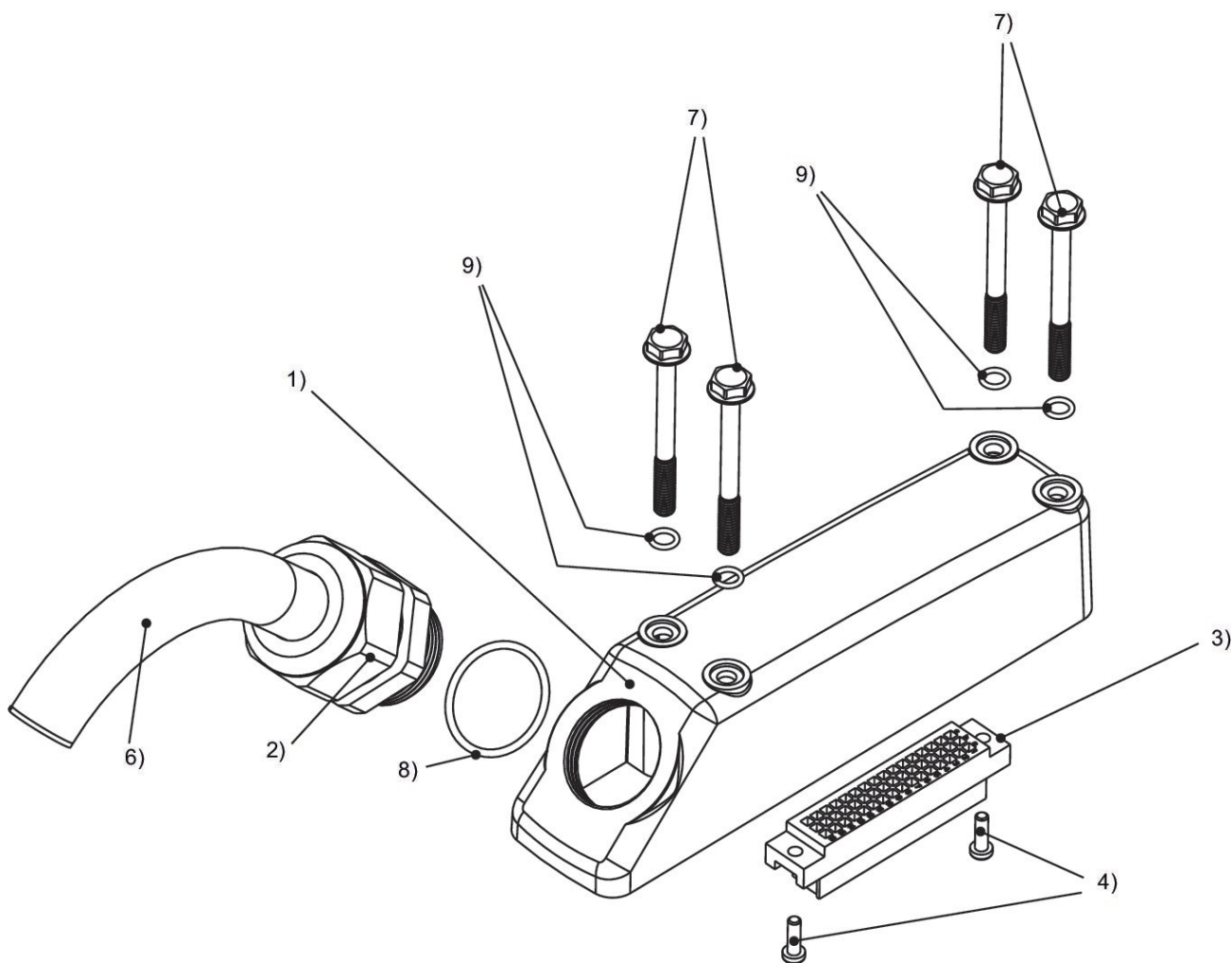
Material

Housing material	Polyamide
Material cable sheath	Polyvinyl chloride
Part No.	0493871009

Technical information

The specified protection class is only valid in assembled and tested state.
max. 8 valves

Dimensions



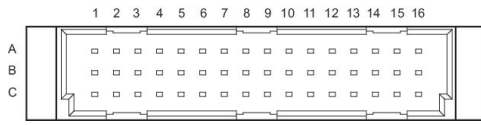
1) housing 2) cable gland 3) connector housing size C/2 4) screw 5) seal 6) cable 7) screw 8) seal 9) seal

Multipole plug, series CON-MP

2024-04-02

0493871009

PIN assignment and cable colors



PIN assignment and cable colors, 24-pin

Pin Color	A	B	C
1	blue	white	brown
2	red/blue	green	yellow
3	white/pink	gray	pink
4	pink/brown	red	black
5	white/blue	violet	gray/pink
6	brown/blue	white/green	brown/green
7	white/red	white/yellow	yellow/brown
8	brown/red	white/gray	gray/brown