

## AVENTICS Series CON-MP Multipole plugs with cable

The AVENTICS Series CON-MP-with cable offers cables with a multipole plug like D-SUB with various numbers of pins and different length, optimized for our focused valve system Series like AV Also C/2 connectors for Valve systems of Series CL03 are available.



### Technical data

|  |                                |
|--|--------------------------------|
| Industry                                 | Industrial                     |
| Type                                     | Multipole                      |
| Cable                                    | with cable                     |
| Operational voltage                      | 24 V DC                        |
| Max. operating voltage AC                | 24 V DC                        |
| Electrical connection 1, type            | Socket                         |
| Electrical connection 1, thread size     | D-Sub                          |
| Electrical connection 1, number of poles | 25-pin                         |
| Cable exit 1                             | angled                         |
| Cable exit angle                         | 90°                            |
| Electrical connection 2, type            | open cable ends                |
| Electrical connection 2, number of poles | 25-pin                         |
| Number of wires                          | 25                             |
| Shielding                                | unshielded                     |
| Cable length                             | 3 m                            |
| Certificates                             | UL (Underwriters Laboratories) |
| Protection class                         | IP65                           |
| Min. ambient temperature                 | -5 °C                          |
| Max. ambient temperature                 | 50 °C                          |

# Multipole plug, series CON-MP

2024-04-02

R412011248

|                    |                      |
|--------------------|----------------------|
| Max. current       | 3 A                  |
| Wire cross-section | 0.34 mm <sup>2</sup> |
| Cable-Ø            | 11.2 mm              |
| Weight             | 0.675 kg             |

## Material

|                       |                    |
|-----------------------|--------------------|
| Housing material      | Polyamide          |
| Material cable sheath | Polyvinyl chloride |
| Part No.              | R412011248         |

## Technical information

The specified protection class is only valid in assembled and tested state.

Note for use with VS LP04: The plug can only be used in the LP04 versions with a side electrical connection.

The min. control pressure must be adhered to, since otherwise faulty switching and valve failure may result!

The pressure dew point must be at least 15 °C less than ambient and medium temperature and may not exceed 3 °C.

The oil content of compressed air must remain constant during the life cycle.

Use only the approved oils from AVENTICS. Further information can be found in the "Technical information" document (available in <https://www.emerson.com/en-us/support>).

Fig. 2

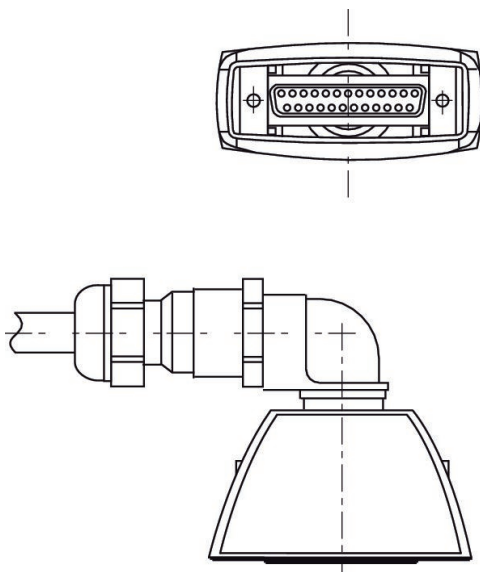
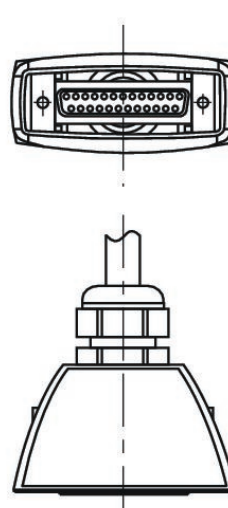


Fig. 1

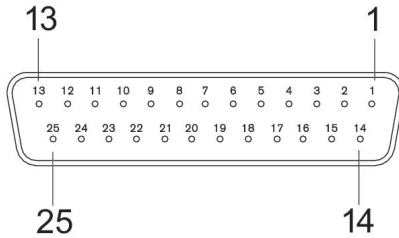


# Multipole plug, series CON-MP

2024-04-02

R412011248

PIN assignment and cable colors  
cable identification as per DIN 47100



Socket

## D-Sub socket, 25 pin

| Pin | Color        |
|-----|--------------|
| 1   | white        |
| 2   | brown        |
| 3   | green        |
| 4   | yellow       |
| 5   | gray         |
| 6   | pink         |
| 7   | blue         |
| 8   | red          |
| 9   | black        |
| 10  | violet       |
| 11  | gray/pink    |
| 12  | red/blue     |
| 13  | white/green  |
| 14  | brown/green  |
| 15  | white/yellow |
| 16  | yellow/brown |
| 17  | white/gray   |
| 18  | gray/brown   |
| 19  | white/pink   |
| 20  | pink/brown   |
| 21  | white/blue   |
| 22  | brown/blue   |
| 23  | white/red    |
| 24  | brown/red    |
| 25  | white/black  |