

Multipole plug, series CON-MP

R412011241

Multipole plug, series CON-MP

- Multipole plug connectors for self-assembly
- Valve system control, D-Sub plug, C/2 plug



Technical data

Industry
Industrial

Type
Multipole

Connection type
Soldering/crimping

Shielding
unshielded

Min. ambient temperature
-5 °C

Max. ambient temperature
50 °C

Max. current
3 A

Protection class
IP65

Operational voltage
24 V DC

Electrical connection 1, type
Plug

Electrical connection 1, thread size
D-Sub

Electrical connection 1, number of poles
25-pin

Cable exit
Angled/straight

Cable exit angle
90°/180°

Weight
0.042 kg

Material

Housing material
Polyamide

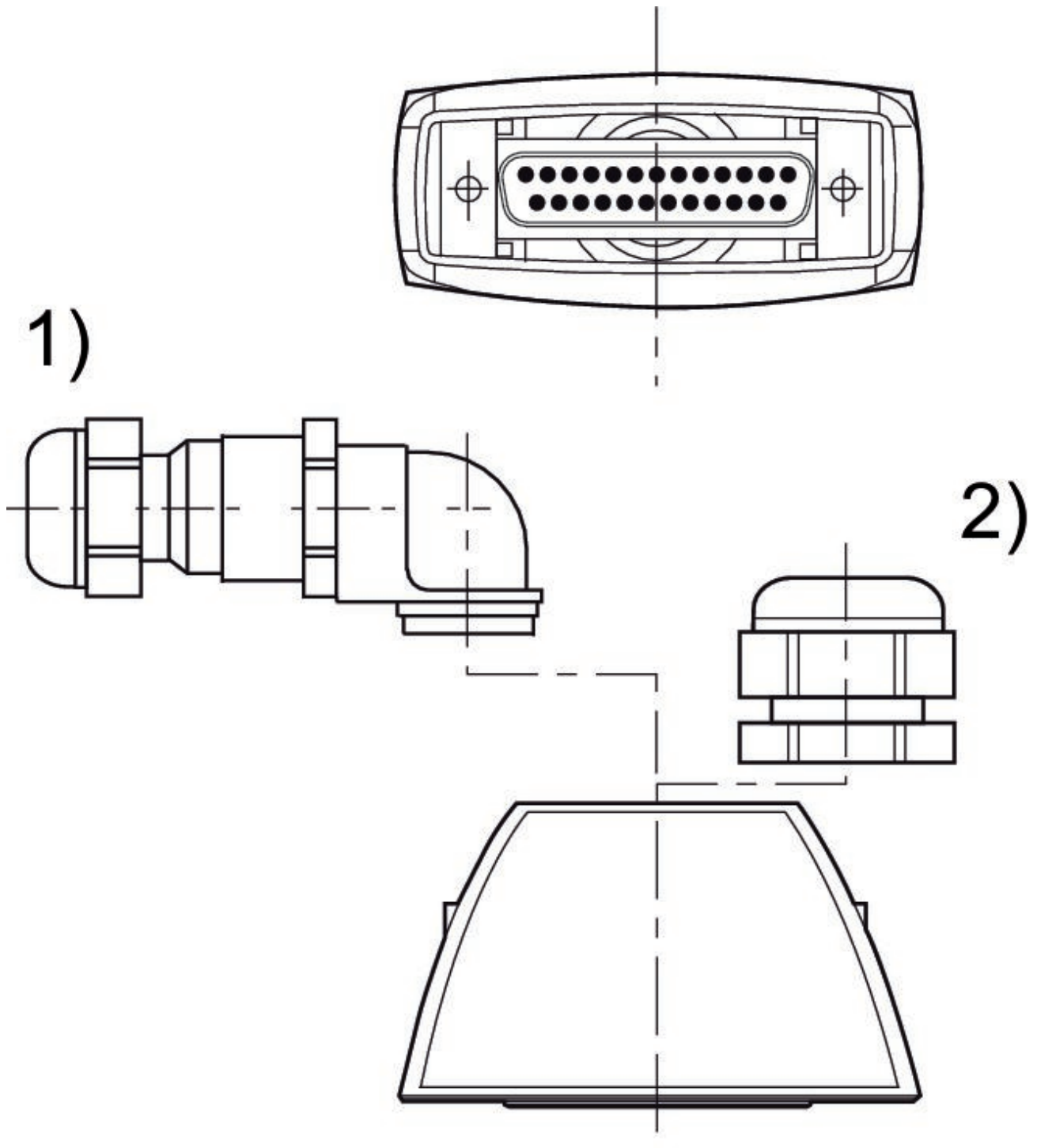
Part No.
R412011241

Technical information

The specified protection class is only valid in assembled and tested state.

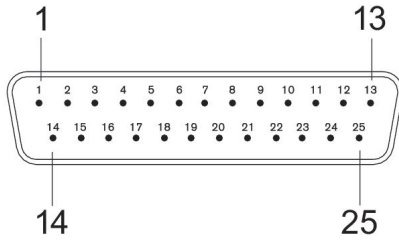
Note for use with VS LP04: The plug can only be used in the LP04 versions with a side electrical connection.

Dimensions



- 1) Socket
- 2) tube nut

PIN assignment and cable colors
cable identification as per DIN 47100



Plug