

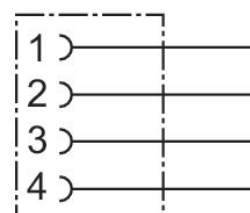
Round plug connector, Series CON-RD

8941054424

General series information

AVENTICS Series CON-RD Round plug connectors

- The AVENTICS Series CON-RD offers round plug connectors for self assembly, as well as terminating plug for fieldbus , adaptors and y-connectors as well as IP protection caps.



Technical data

Industry	Industrial
Type	Round plug connectors
Connection type	Screws
min. suitable cable Ø	4 mm
Shielding	unshielded
Min. ambient temperature	-25 °C
Max. ambient temperature	90 °C
Max. current	4 A
Protection class	IP67
Operational voltage	48 V AC/DC
Electrical connection 1, type	Socket
Electrical connection 1, thread size	M12x1
Electrical connection 1, number of poles	4-pin
Electrical connection 1, coding	A-coded

Cable exit	angled
Cable exit angle	90°
Weight	0.027 kg

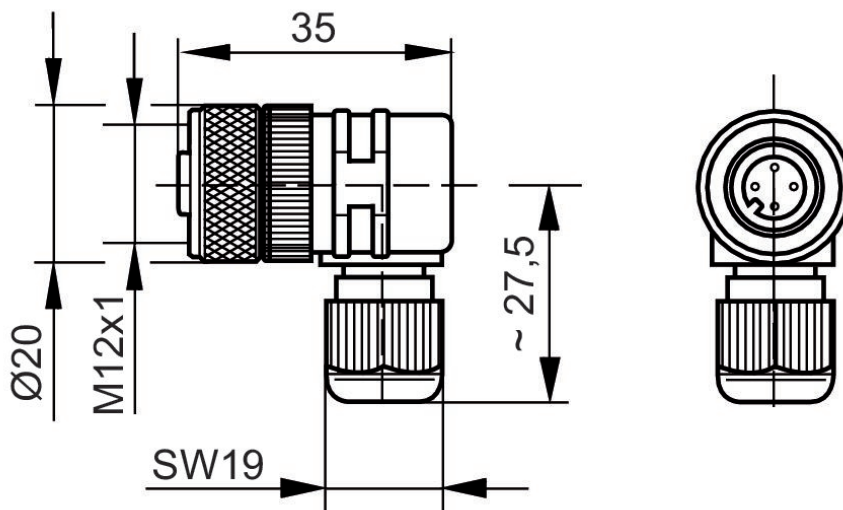
Material

Housing material	Polybutyleneterephthalate
Seal material	Fluorocarbon caoutchouc
Part No.	8941054424

Technical information

The specified protection class is only valid in assembled and tested state.

Dimensions



Pin assignment, socket

