

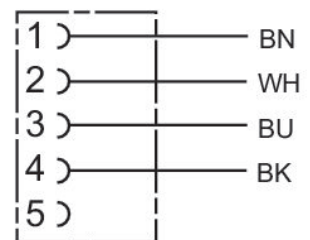
# Round plug connector, Series CON-RD

1834484261

## General series information

AVENTICS Series CON-RD Round plug connectors with cable

- The AVENTICS Series CON-RD-with cable offers cables with round plug connectors for various types like M8x1, M12x1 or 7/8-16UNC and different cable length, optimized for our focused valves with M8x1 or M12x1 connection and electronic systems like AES and G3.



## Technical data

Industry	Industrial
Type	Round plug connectors
Cable	with cable
Operational voltage	48 V AC/DC
Operating voltage AC max.	48 V DC
Operating voltage DC, max.	48 V AC
Electrical connection 1, type	Socket
Electrical connection 1, thread size	M12x1
Electrical connection 1, number of poles	5-pin
Electrical connection 1, coding	A-coded
Cable exit 1	angled
Cable exit angle	90°
Electrical connection 2, type	open cable ends

Number of wires	4
Shielding	unshielded
Cable length	10 m
Protection class	IP65
Min. ambient temperature	-40 °C
Max. ambient temperature	85 °C
Protocol	DeviceNet
Max. current	4 A
Wire cross-section	0.34 mm <sup>2</sup>
Cable-Ø	5.2 mm
Weight	0.38 kg

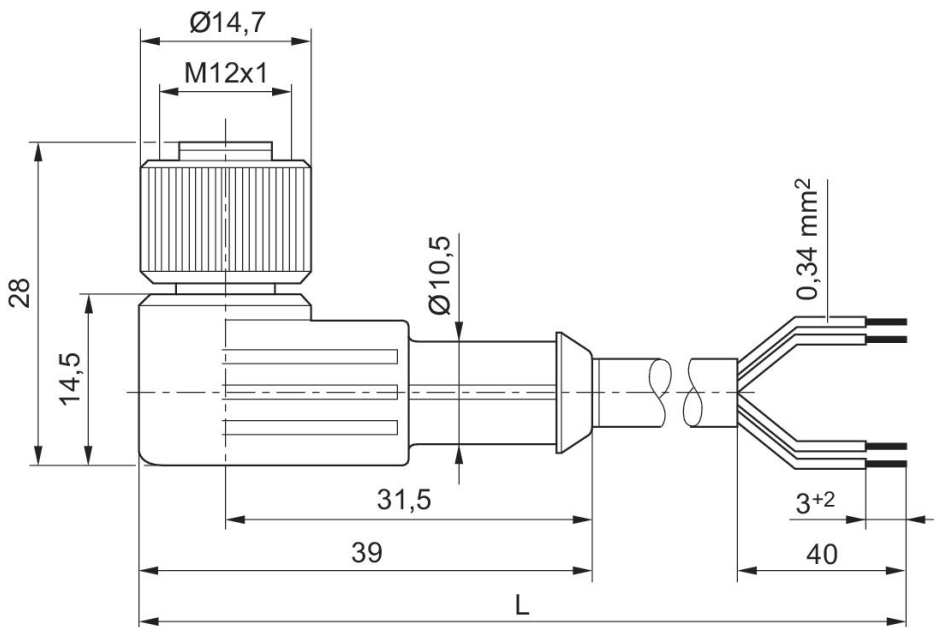
## Material

Material cable sheath	Polyurethane
Part No.	1834484261

## Technical information

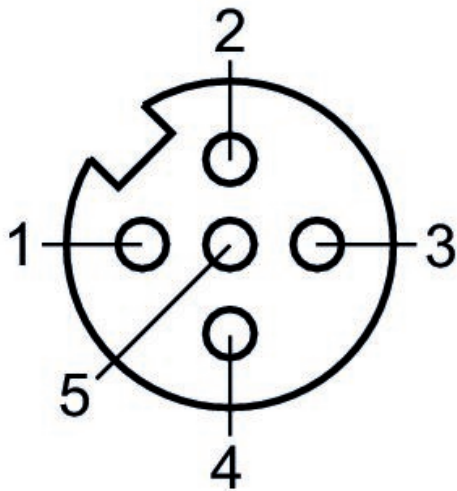
The specified protection class is only valid in assembled and tested state.

## Dimensions



L = length

### Pin assignment, socket



(2) WH=white  
(5) not assigned