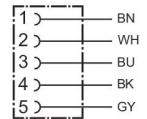


- Round plug connectors with connected cable
- M8x1, M12x1, M23, 7/8"
- Y cable

## AVENTICS Series CON-RD Round plug connectors with cable

The AVENTICS Series CON-RD-with cable offers cables with round plug connectors for various types like M8x1, M12x1 or 7/8-16UNC and different cable length, optimized for our focused valves with M8x1 or M12x1 connection and electronic systems like AES and G3.



## Technical data

Industry	Industrial
Type	Round plug connectors
Cable	with cable
Operational voltage	48 V AC/DC
Max. operating voltage AC	48 V DC
Max. operating voltage DC	48 V AC
Electrical connection 1, type	Socket
Electrical connection 1, thread size	M12x1
Electrical connection 1, number of poles	5-pin
Electrical connection 1, coding	A-coded
Cable exit 1	angled
Cable exit angle	90°
Electrical connection 2, type	open cable ends
Number of wires	5
Shielding	shielded
Cable length	10 m
Protection class	IP67
Min. ambient temperature	-25 °C
Max. ambient temperature	80 °C

# Round plug connector, Series CON-RD

R419800546

CON-RD

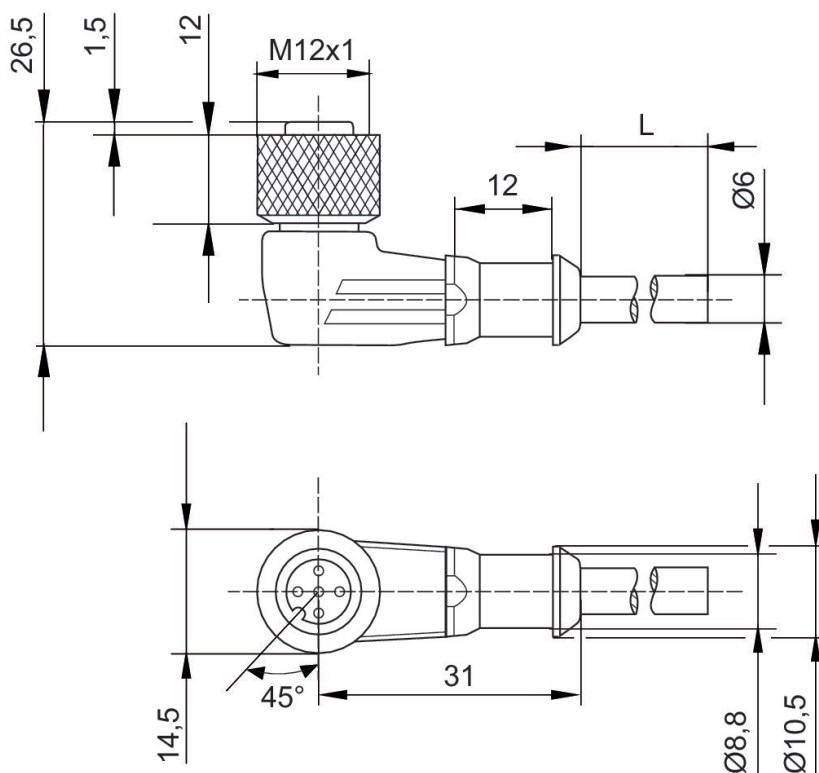
2024-06-04

Max. current	4 A
Wire cross-section	0.34 mm <sup>2</sup>
Cable-Ø	6 mm
Weight	0.514 kg

## Material

Housing material	Thermoplastic elastomer
Material cable sheath	Polyurethane
Part No.	R419800546

## Dimensions



L = length

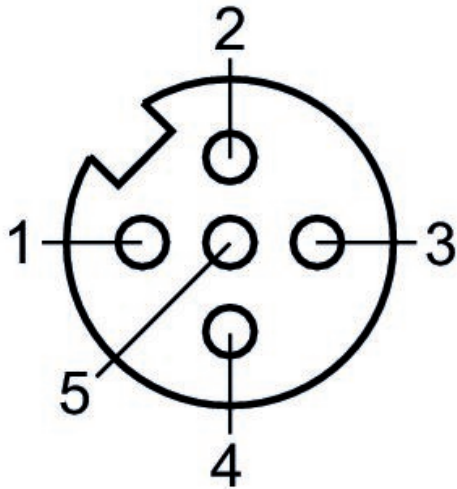
# Round plug connector, Series CON-RD

R419800546

CON-RD

2024-06-04

Pin assignment, socket



(1) BN=brown (2) WH=white (3) BU=blue (4) BK=black (5) GY=grey