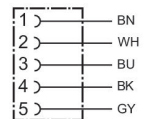


- Round plug connectors with connected cable
- M8x1, M12x1, M23, 7/8"
- Y cable

AVENTICS Series CON-RD Round plug connectors with cable

The AVENTICS Series CON-RD-with cable offers cables with round plug connectors for various types like M8x1, M12x1 or 7/8-16UNC and different cable length, optimized for our focused valves with M8x1 or M12x1 connection and electronic systems like AES and G3.



Technical data

Industry	Industrial
Type	Round plug connectors
Cable	with cable
Operational voltage	48 V AC/DC
Max. operating voltage AC	48 V DC
Max. operating voltage DC	48 V AC
Electrical connection 1, type	Socket
Electrical connection 1, thread size	M12x1
Electrical connection 1, number of poles	5-pin
Electrical connection 1, coding	A-coded
Cable exit 1	angled
Cable exit angle	90°
Electrical connection 2, type	open cable ends
Number of wires	5
Shielding	shielded
Cable length	2.5 m
Protection class	IP67
Min. ambient temperature	-25 °C
Max. ambient temperature	80 °C

Round plug connector, Series CON-RD

R419800109

CON-RD

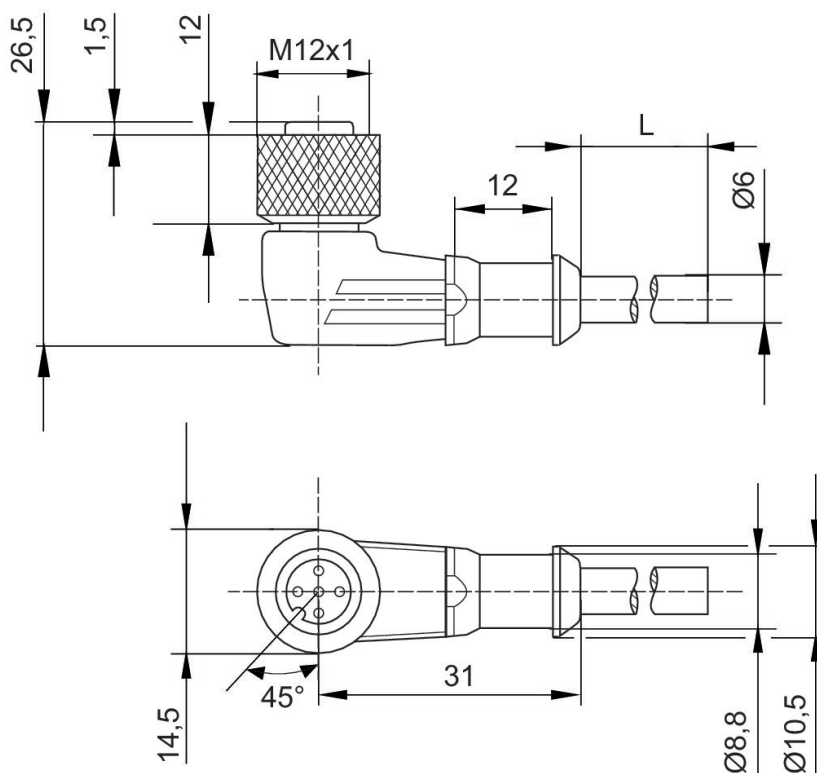
2024-06-04

Max. current	4 A
Wire cross-section	0.34 mm ²
Cable-Ø	6 mm
Weight	0.145 kg

Material

Housing material	Thermoplastic elastomer
Material cable sheath	Polyurethane
Part No.	R419800109

Dimensions



L = length

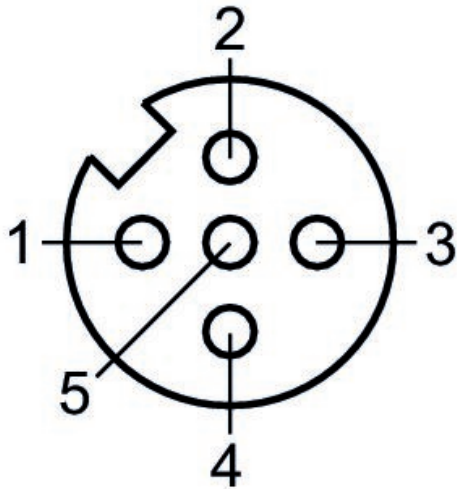
Round plug connector, Series CON-RD

R419800109

CON-RD

2024-06-04

Pin assignment, socket



(1) BN=brown (2) WH=white (3) BU=blue (4) BK=black (5) GY=grey