

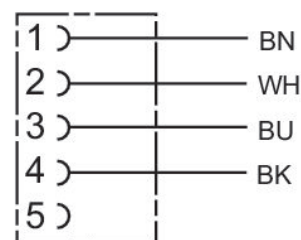
Round plug connector, Series CON-RD

1834484259

General series information

AVENTICS Series CON-RD Round plug connectors with cable

- The AVENTICS Series CON-RD-with cable offers cables with round plug connectors for various types like M8x1, M12x1 or 7/8-16UNC and different cable length, optimized for our focused valves with M8x1 or M12x1 connection and electronic systems like AES and G3.



Technical data

Industry

Industrial

Type

Round plug connectors

Cable

with cable

Operational voltage

48 V AC/DC

Operating voltage AC max.

48 V DC

Operating voltage DC, max.

48 V AC

Electrical connection 1, type

Socket

Electrical connection 1, thread size

M12x1

Electrical connection 1, number of poles

5-pin

Electrical connection 1, coding

A-coded

Cable exit 1

angled

Cable exit angle

90°

Electrical connection 2, type

open cable ends

Number of wires	4
Shielding	unshielded
Cable length	3 m
Protection class	IP65
Min. ambient temperature	-40 °C
Max. ambient temperature	85 °C
Protocol	DeviceNet
Max. current	4 A
Wire cross-section	0.34 mm ²
Cable-Ø	5.2 mm
Weight	0.126 kg

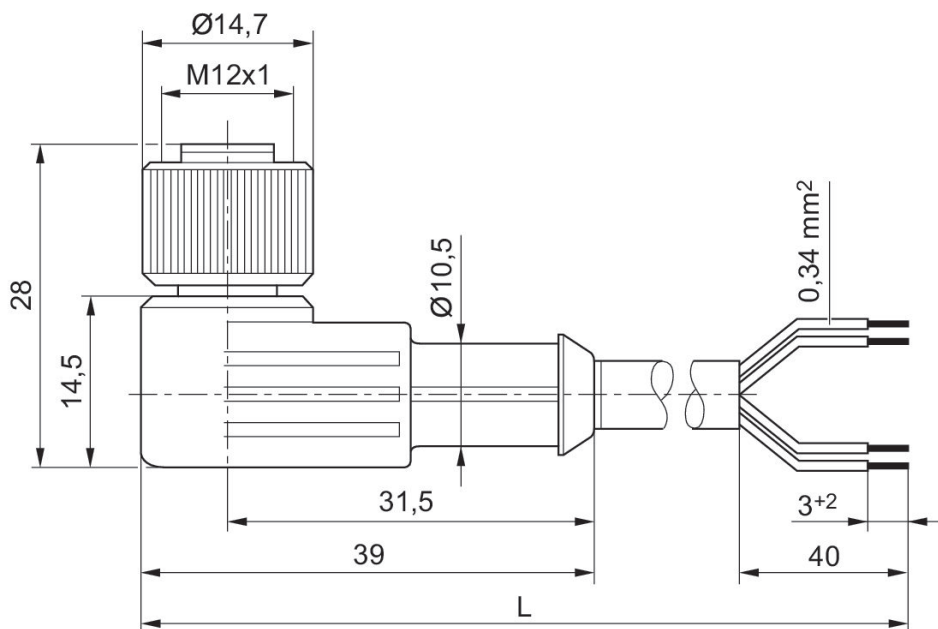
Material

Material cable sheath	Polyurethane
Part No.	1834484259

Technical information

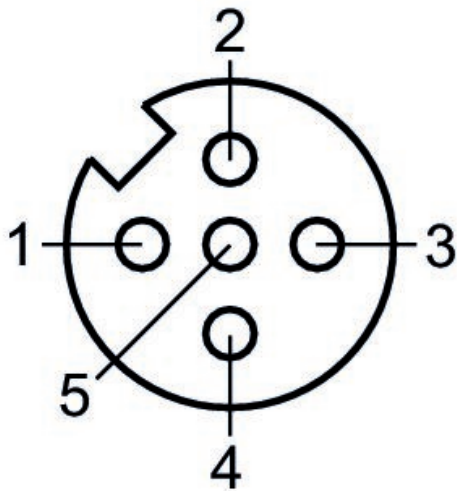
The specified protection class is only valid in assembled and tested state.

Dimensions



L = length

Pin assignment, socket



(1) BN=brown (2) WH=white (3) BU=blue (4) BK=black
(5) not assigned