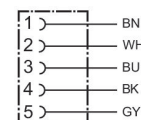


- Round plug connectors with connected cable
- M8x1, M12x1, M23, 7/8"
- Y cable

## AVENTICS Series CON-RD Round plug connectors with cable

The AVENTICS Series CON-RD-with cable offers cables with round plug connectors for various types like M8x1, M12x1 or 7/8-16UNC and different cable length, optimized for our focused valves with M8x1 or M12x1 connection and electronic systems like AES and G3.



## Technical data

|  |                       |
|--|-----------------------|
| Industry                                 | Industrial            |
| Type                                     | Round plug connectors |
| Cable                                    | with cable            |
| Operational voltage                      | 48 V AC/DC            |
| Max. operating voltage AC                | 48 V DC               |
| Max. operating voltage DC                | 48 V AC               |
| Electrical connection 1, type            | Socket                |
| Electrical connection 1, thread size     | M12x1                 |
| Electrical connection 1, number of poles | 5-pin                 |
| Electrical connection 1, coding          | A-coded               |
| Cable exit 1                             | angled                |
| Cable exit angle                         | 90°                   |
| Electrical connection 2, type            | open cable ends       |
| Number of wires                          | 5                     |
| Shielding                                | shielded              |
| Cable length                             | 5 m                   |
| Protection class                         | IP67                  |
| Min. ambient temperature                 | -25 °C                |
| Max. ambient temperature                 | 80 °C                 |

# Round plug connector, Series CON-RD

R419800110

CON-RD

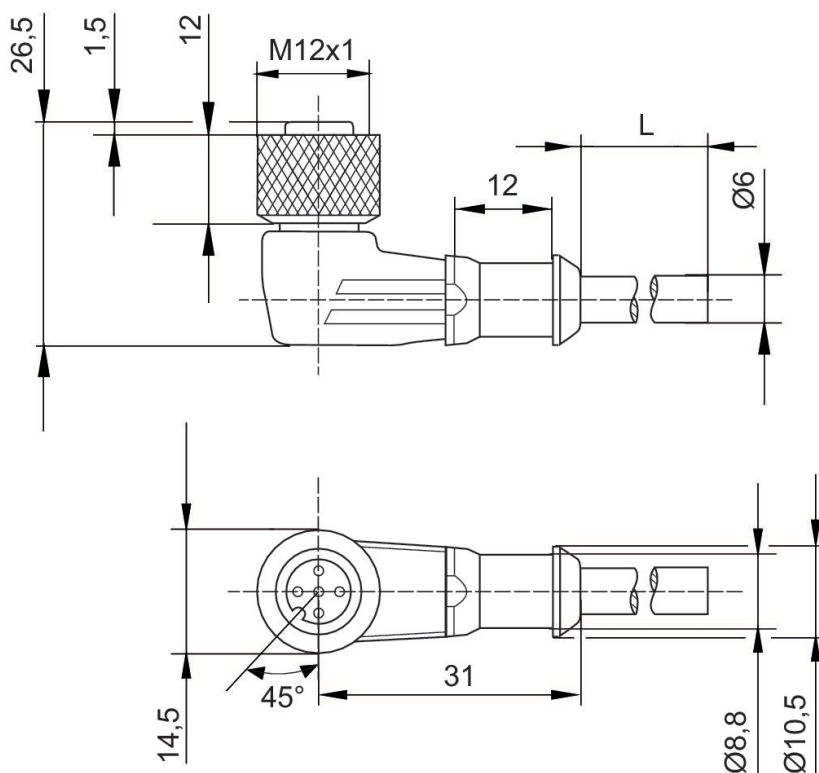
2024-06-04

|                    |                      |
|--------------------|----------------------|
| Max. current       | 4 A                  |
| Wire cross-section | 0.34 mm <sup>2</sup> |
| Cable-Ø            | 6 mm                 |
| Weight             | 0.27 kg              |

## Material

|                       |                         |
|-----------------------|-------------------------|
| Housing material      | Thermoplastic elastomer |
| Material cable sheath | Polyurethane            |
| Part No.              | R419800110              |

## Dimensions



L = length

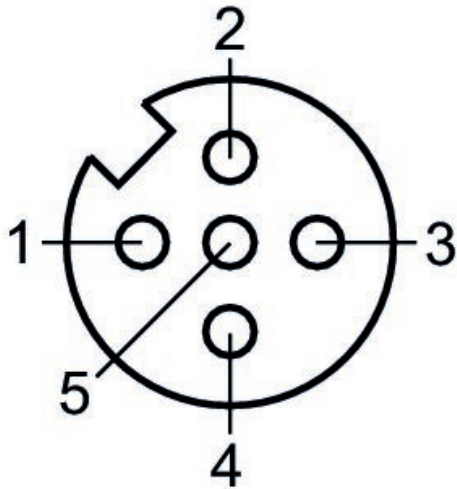
# Round plug connector, Series CON-RD

R419800110

CON-RD

2024-06-04

Pin assignment, socket



(1) BN=brown (2) WH=white (3) BU=blue (4) BK=black (5) GY=grey