

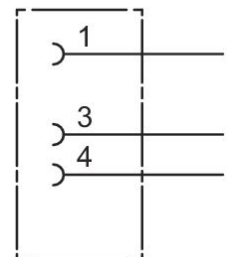
Round plug connector, Series CON-RD

1834484174

General series information

AVENTICS Series CON-RD Round plug connectors

- The AVENTICS Series CON-RD offers round plug connectors for self assembly, as well as terminating plug for fieldbus , adaptors and y-connectors as well as IP protection caps.



Technical data

Industry	Industrial
Type	Round plug connectors
Connection type	Soldering
min. suitable cable Ø	3.5 mm
max. suitable cable Ø	5 mm
Certificates	UL (Underwriters Laboratories)
Shielding	unshielded
Min. ambient temperature	-40 °C
Max. ambient temperature	85 °C
Max. current	4 A
Contact assignment	3
Protection class	IP67

Operational voltage	48 V AC/DC
Electrical connection 1, type	Socket
Electrical connection 1, thread size	M8x1
Electrical connection 1, number of poles	3-pin
Electrical connection 1, coding	A-coded
Cable exit	angled
Cable exit angle	90°
Weight	0.01 kg

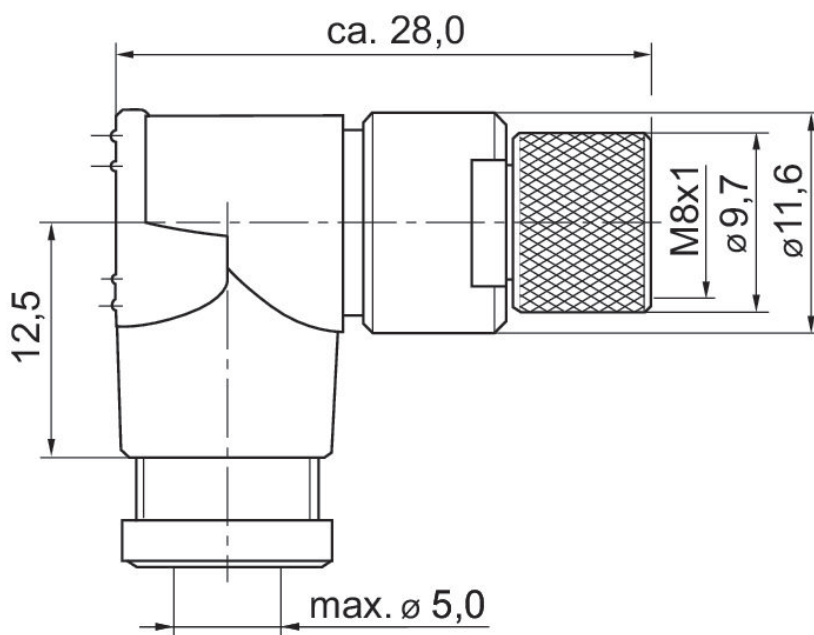
Material

Housing material	Polyamide
Part No.	1834484174

Technical information

The specified protection class is only valid in assembled and tested state.

Dimensions in mm



Pin assignment, socket

