

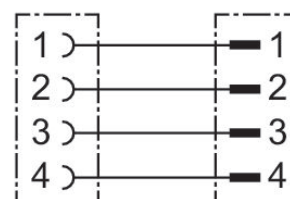
Round plug connector, Series CON-RD

R412023864

General series information

AVENTICS Series CON-RD Round plug connectors with cable

- The AVENTICS Series CON-RD-with cable offers cables with round plug connectors for various types like M8x1, M12x1 or 7/8-16UNC and different cable length, optimized for our focused valves with M8x1 or M12x1 connection and electronic systems like AES and G3.



Technical data

Industry

Industrial

Type

Round plug connectors

Cable

with cable

Operational voltage

30 V AC/DC

Operating voltage AC max.

30 V DC

Operating voltage DC, max.

30 V AC

Electrical connection 1, type

Socket

Electrical connection 1, thread size

M8x1

Electrical connection 1, number of poles

4-pin

Electrical connection 1, coding

A-coded

Cable exit 1

angled

Cable exit angle

90°

Electrical connection 2, type

Plug

Electrical connection 2, thread size

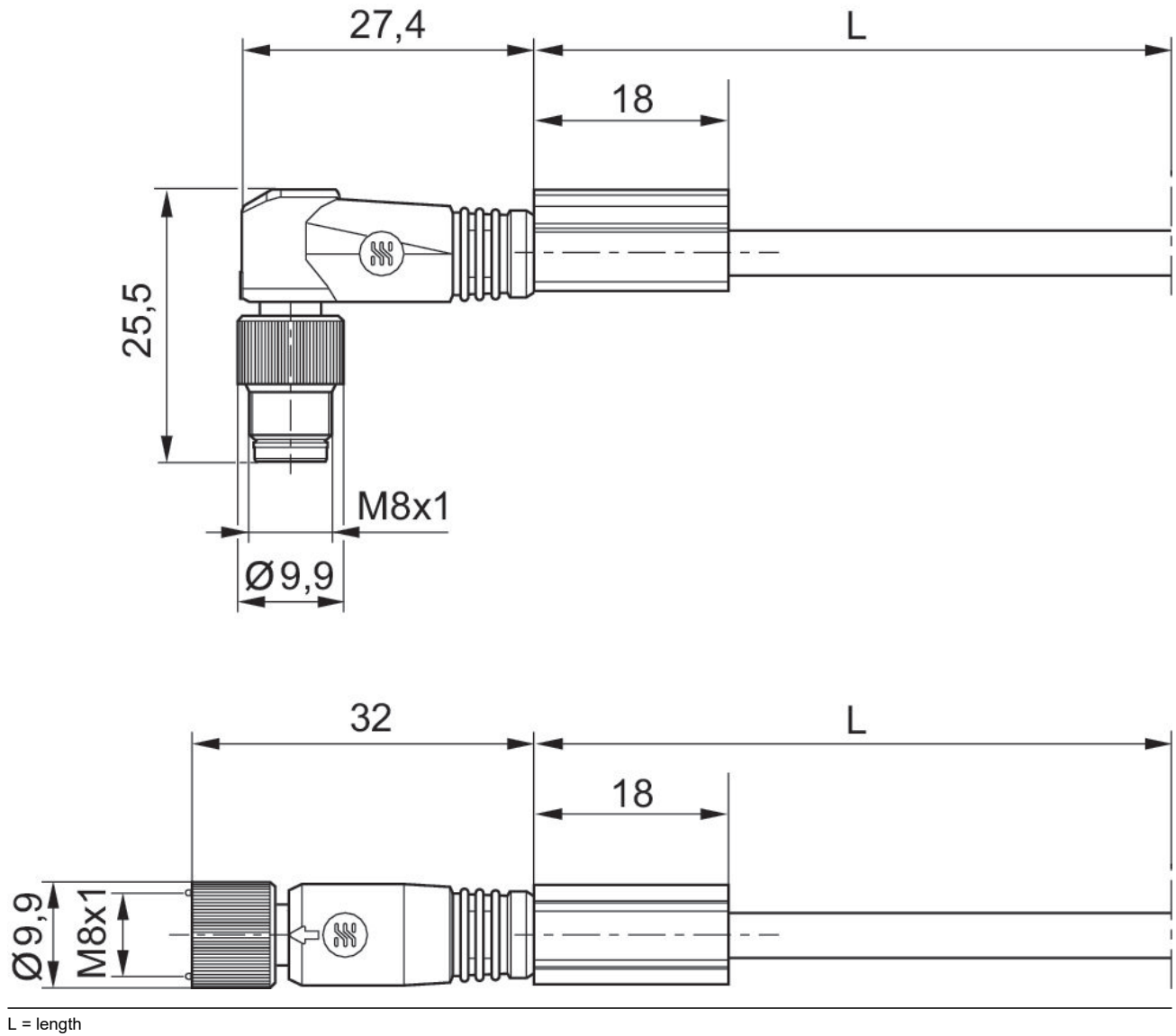
M8x1

Electrical connection 2, number of poles	4-pin
Electrical connection 2, coding	A-coded
Cable exit 2	straight
Cable exit angle	180°
Number of wires	4
Shielding	unshielded
Cable length	1 m
suitable for dynamic laying	suitable for dynamic laying
Bending radius min.	44 mm
Protection class	IP68
Min. ambient temperature	-40 °C
Max. ambient temperature	80 °C
Max. current	4 A
Wire cross-section	0.25 mm ²
Cable-Ø	4.4 mm
Mounting screw tightening torque	0.6 Nm
Delivery unit	1 piece
Weight	0.05 kg

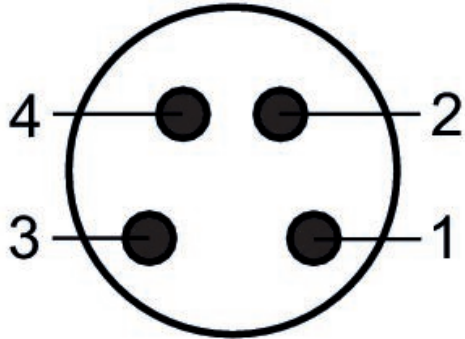
Material

Housing material	Polyurethane
Material cable sheath	Polyurethane
Part No.	R412023864

Dimensions

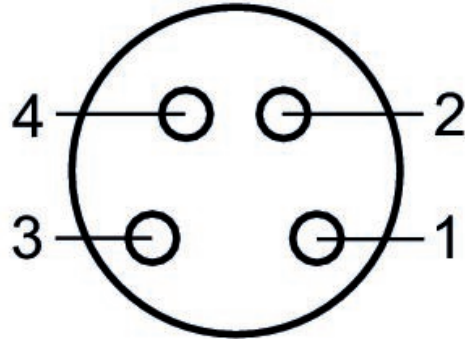


Plug pin assignment



(1) BN=brown (2) WH=white (3) BU=blue (4) BK=black

Pin assignment, socket



(1) BN=brown (2) WH=white (3) BU=blue (4) BK=black