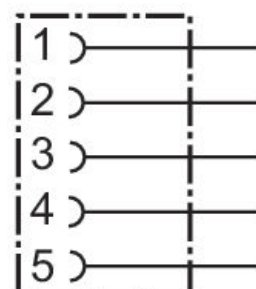


# Round plug connector, Series CON-RD

## R412024840

General series information  
AVENTICS Series CON-RD Round plug connectors

- The AVENTICS Series CON-RD offers round plug connectors for self assembly, as well as terminating plug for fieldbus , adaptors and y-connectors as well as IP protection caps.



### Technical data

Industry	Industrial
Type	Round plug connectors
Connection type	Screws
min. suitable cable Ø	6 mm
max. suitable cable Ø	8 mm
Shielding	unshielded
Min. ambient temperature	-25 °C
Max. ambient temperature	85 °C
Max. current	9 A
Protection class	IP67
Operational voltage	48 V AC/DC
Electrical connection 1, type	Socket

Electrical connection 1, thread size	7/8"-16UNF
Electrical connection 1, number of poles	5-pin
Cable exit	straight
Cable exit angle	180°
Mounting screw tightening torque	0.8 Nm
Weight	0.054 kg

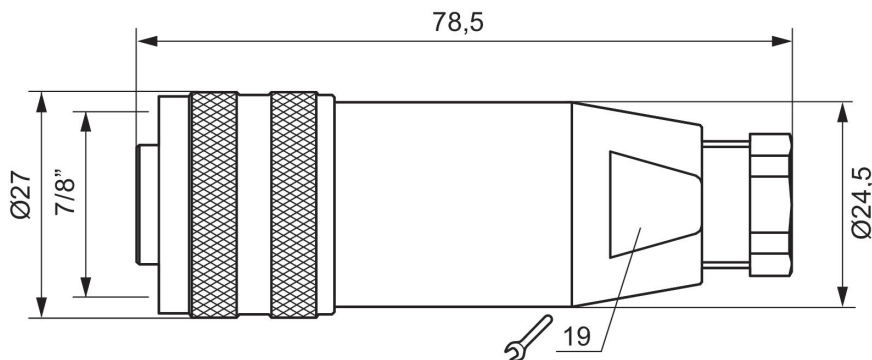
## Material

Housing material	Polybutyleneterephthalate
Part No.	R412024840

## Technical information

The specified protection class is only valid in assembled and tested state.

## Dimensions



Pin assignment, socket

