

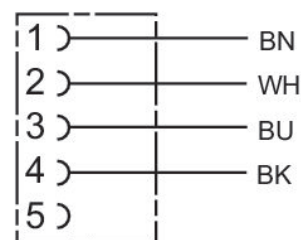
# Round plug connector, Series CON-RD

1834484258

## General series information

AVENTICS Series CON-RD Round plug connectors with cable

- The AVENTICS Series CON-RD-with cable offers cables with round plug connectors for various types like M8x1, M12x1 or 7/8-16UNC and different cable length, optimized for our focused valves with M8x1 or M12x1 connection and electronic systems like AES and G3.



## Technical data

Industry

Industrial

Type

Round plug connectors

Cable

with cable

Operational voltage

48 V AC/DC

Operating voltage AC max.

48 V DC

Operating voltage DC, max.

48 V AC

Electrical connection 1, type

Socket

Electrical connection 1, thread size

M12x1

Electrical connection 1, number of poles

5-pin

Electrical connection 1, coding

A-coded

Cable exit 1

straight

Cable exit angle

180°

Electrical connection 2, type

open cable ends

Number of wires	4
Shielding	unshielded
Cable length	10 m
Protection class	IP67
Min. ambient temperature	-25 °C
Max. ambient temperature	70 °C
Max. current	4 A
Wire cross-section	0.34 mm <sup>2</sup>
Cable-Ø	5.2 mm
Weight	0.373 kg

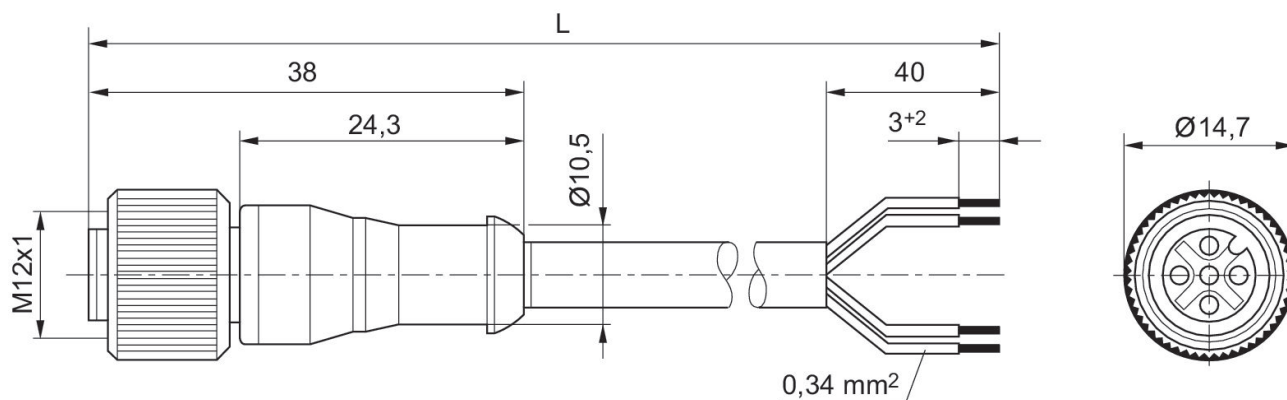
## Material

Material cable sheath	Polyurethane
Part No.	1834484258

## Technical information

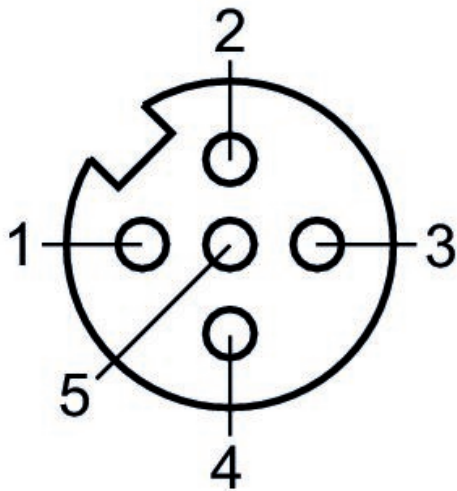
The specified protection class is only valid in assembled and tested state.

## Dimensions



L = length

### Pin assignment, socket



(2) WH=white  
(5) not assigned