

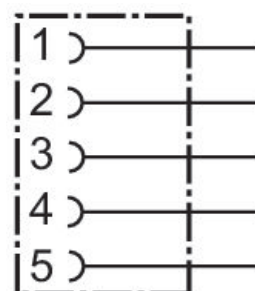
Round plug connector, Series CON-RD

8941054044

General series information

AVENTICS Series CON-RD Round plug connectors

- The AVENTICS Series CON-RD offers round plug connectors for self assembly, as well as terminating plug for fieldbus , adaptors and y-connectors as well as IP protection caps.



Technical data

Industry

Industrial

Type

Round plug connectors

Connection type

Screws

min. suitable cable Ø

6 mm

max. suitable cable Ø

8 mm

Protocol

PROFIBUS DP

Certificates

UL (Underwriters Laboratories)

Shielding

shielded

Min. ambient temperature

-40 °C

Max. ambient temperature

85 °C

Max. current

4 A

Protection class

IP67

Operational voltage	48 V AC/DC
Electrical connection 1, type	Socket
Electrical connection 1, thread size	M12x1
Electrical connection 1, number of poles	5-pin
Electrical connection 1, coding	B-coded
Cable exit	straight
Cable exit angle	180°
Weight	0.06 kg

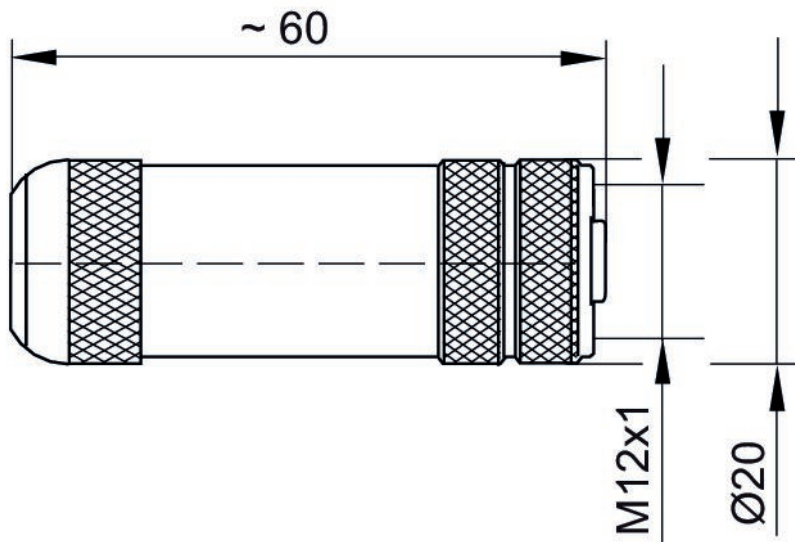
Material

Housing material	Brass
Seal material	Fluorocarbon caoutchouc
Part No.	8941054044

Technical information

The specified protection class is only valid in assembled and tested state.

Dimensions



Pin assignment, socket

