

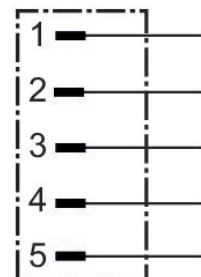
Round plug connector, Series CON-RD

R412024839

General series information

AVENTICS Series CON-RD Round plug connectors

- The AVENTICS Series CON-RD offers round plug connectors for self assembly, as well as terminating plug for fieldbus , adaptors and y-connectors as well as IP protection caps.



Technical data

Industry	Industrial
Type	Round plug connectors
Connection type	Screws
min. suitable cable Ø	6 mm
max. suitable cable Ø	8 mm
Shielding	unshielded
Min. ambient temperature	-25 °C
Max. ambient temperature	85 °C
Max. current	9 A
Protection class	IP67
Operational voltage	48 V AC/DC
Electrical connection 1, type	Plug

Electrical connection 1, thread size	7/8"-16UNF
Electrical connection 1, number of poles	5-pin
Cable exit	straight
Cable exit angle	180°
Mounting screw tightening torque	0.8 Nm
Weight	0.047 kg

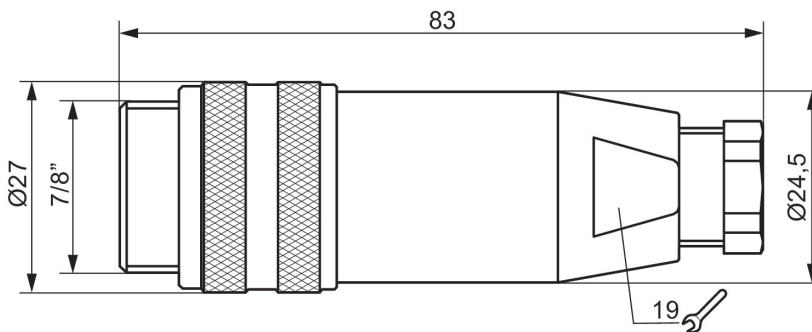
Material

Housing material	Polybutyleneterephthalate
Part No.	R412024839

Technical information

The specified protection class is only valid in assembled and tested state.

Dimensions



Plug pin assignment

